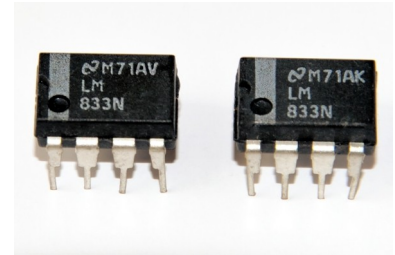
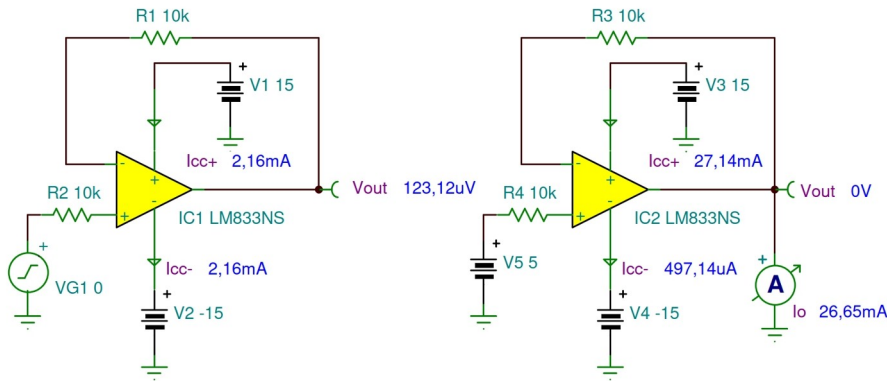


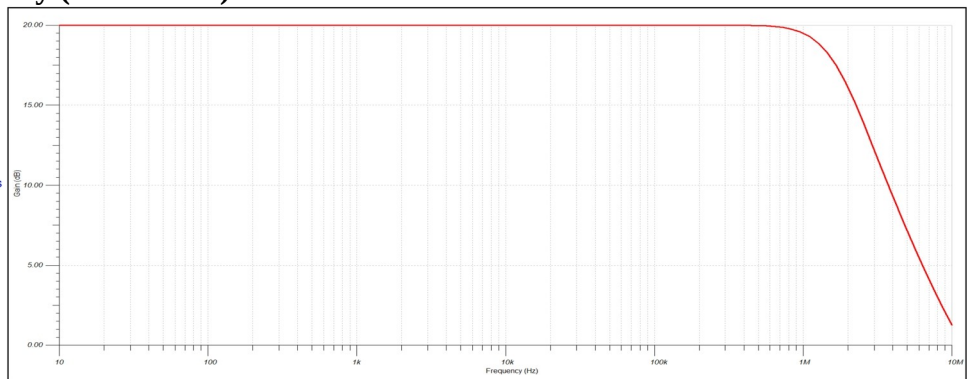
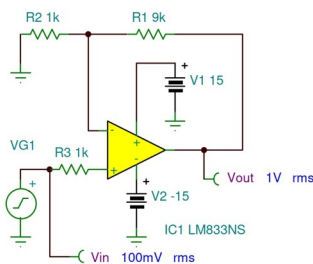
# LM833 Dual Audio Operational Amplifier SPICE Model

The LM833 is a dual general purpose operational amplifier designed with particular emphasis on performance in audio systems (National Semiconductor).

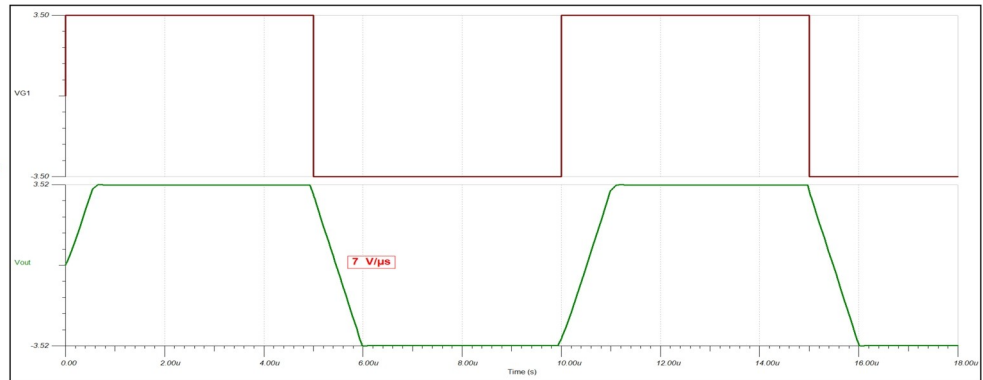
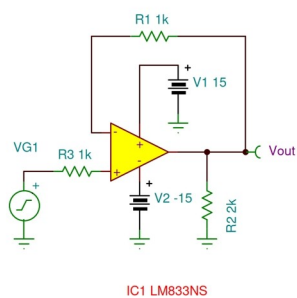
## DC Characteristics



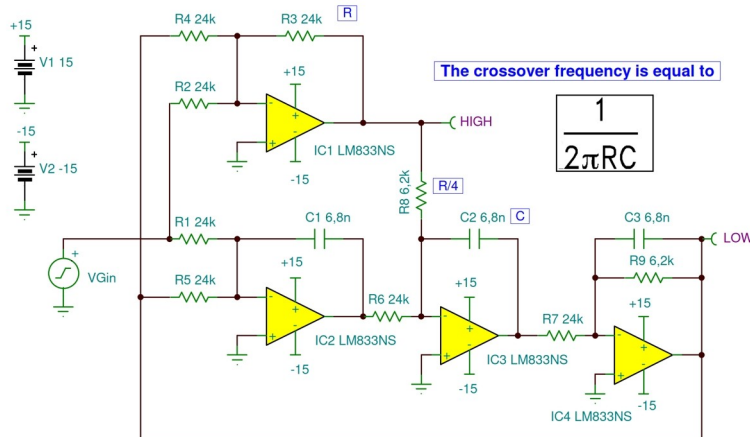
## Voltage Gain vs Frequency ( $A_v = 20$ dB)



## Slew Rate

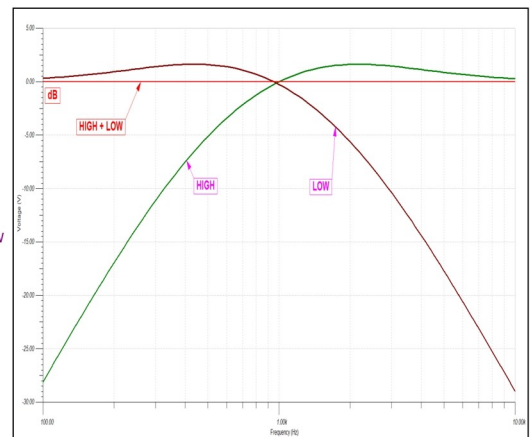


## Active Crossover Network



The crossover frequency is equal to

$$\frac{1}{2\pi RC}$$



Note that the summed response (red line) is perfectly flat.

Zabb Csaba