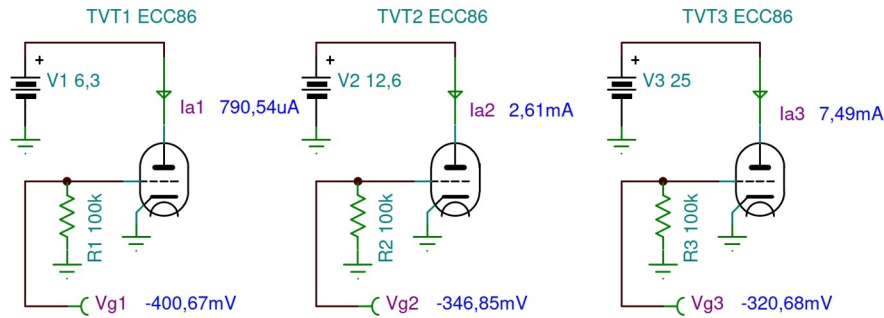
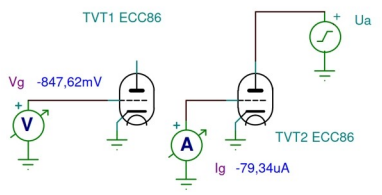


# ECC86/6GM8 Double Triode for Low Supply Voltage Applications SPICE Macro Model

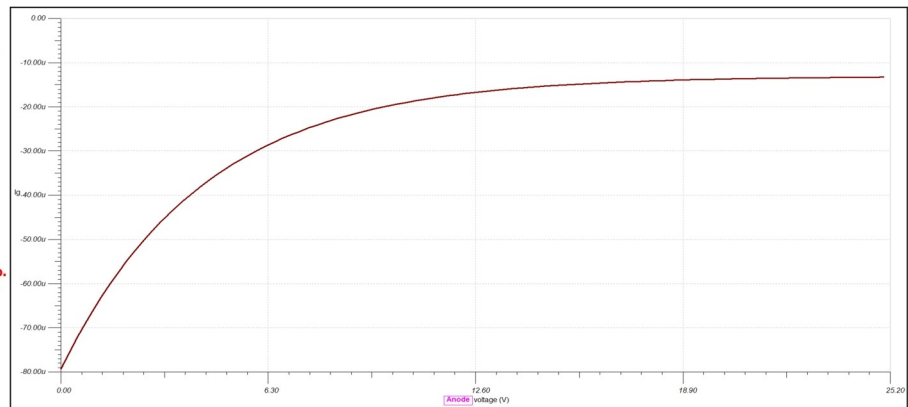
## DC Characteristics



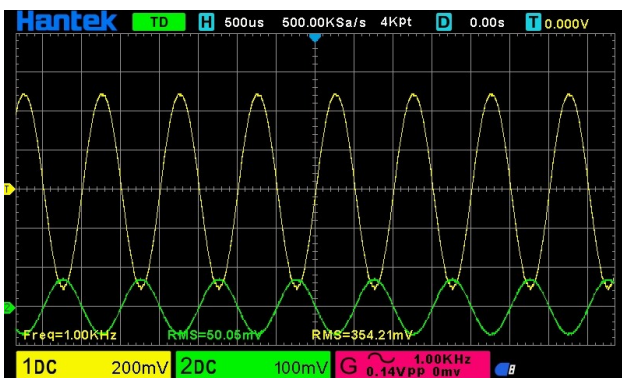
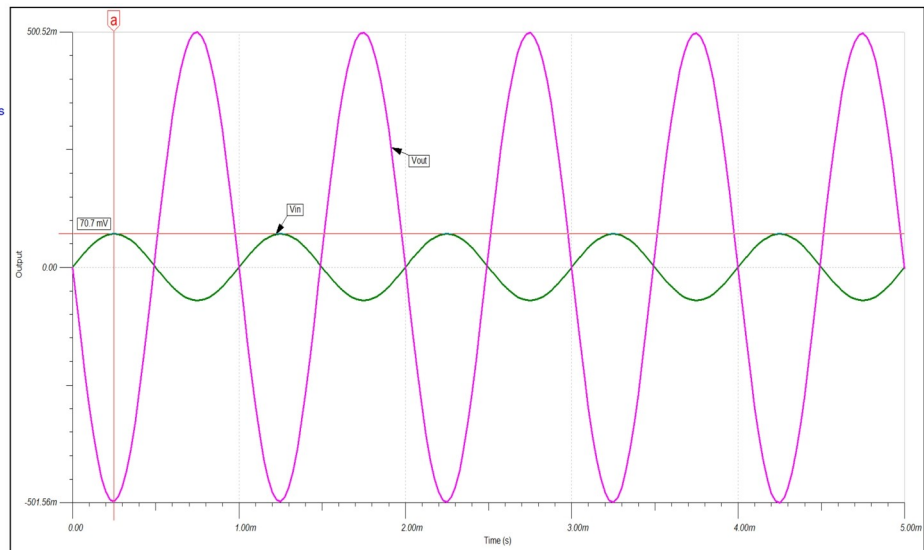
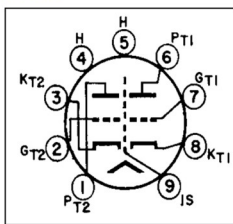
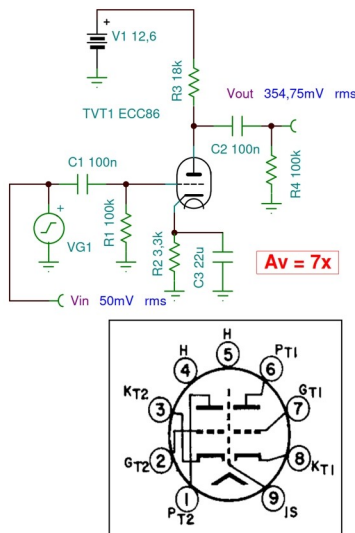
## Grid Diode Splash Current



The grid current is not zero when the grid voltage is zero. A small grid current flows due to the energy distribution of the electrons emitted from the cathode.

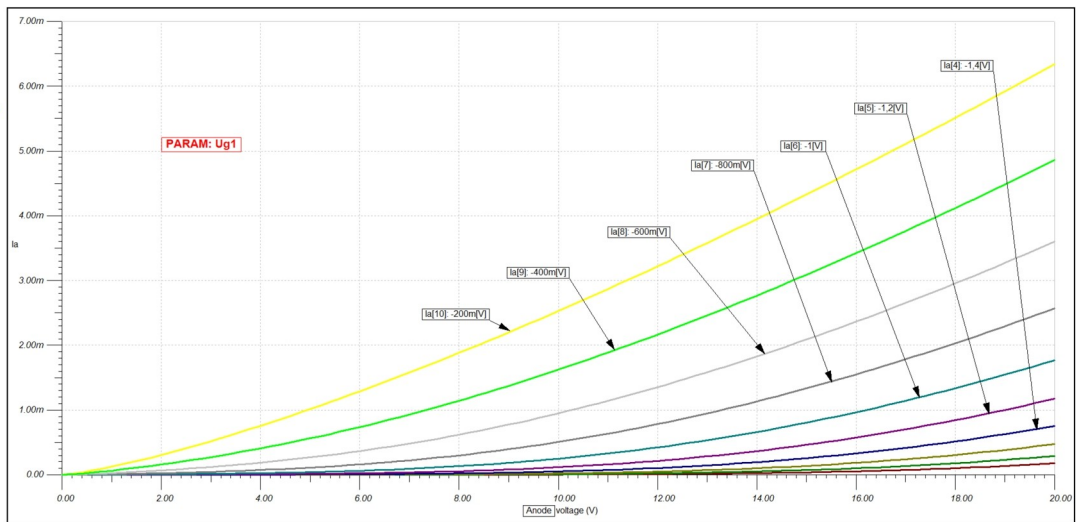
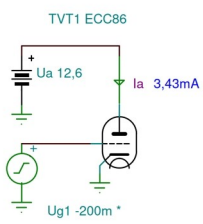
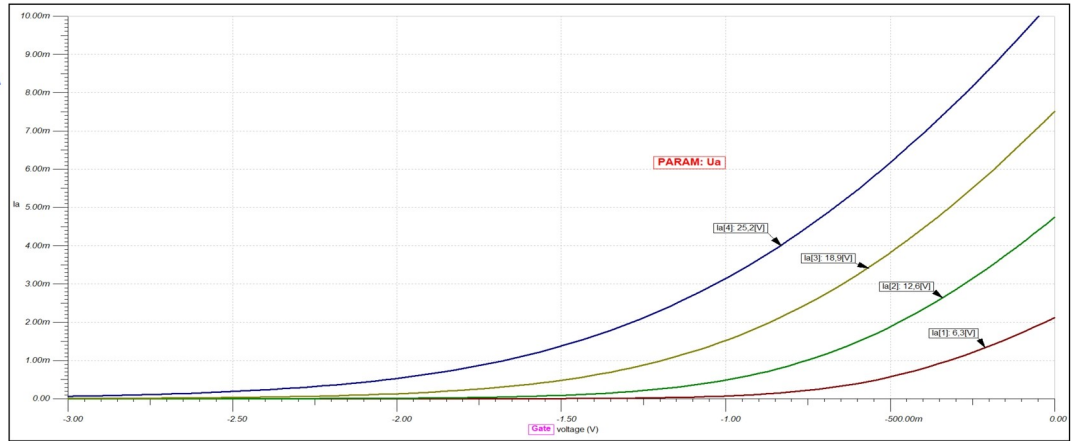
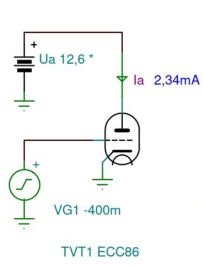


## AF Voltage Amplifier



The model provides good accuracy for both DC operating points and AC gain.

# Anode Characteristics



# Buffered LC Oscillator

