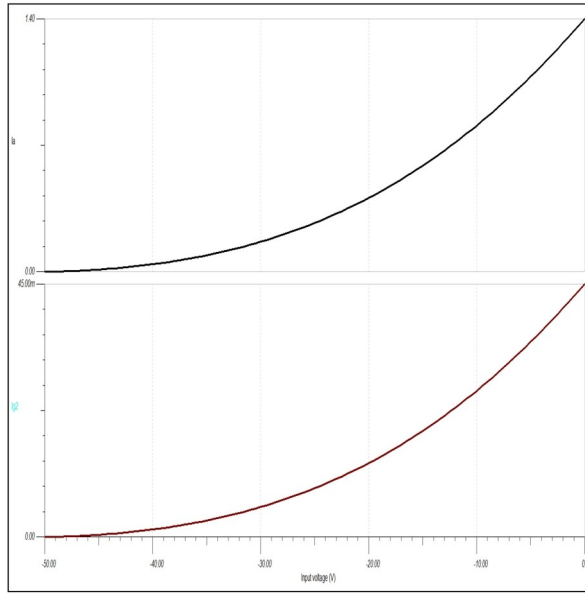
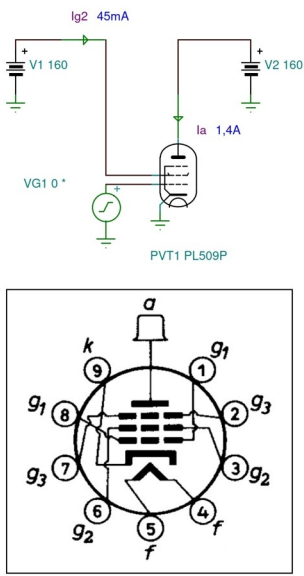
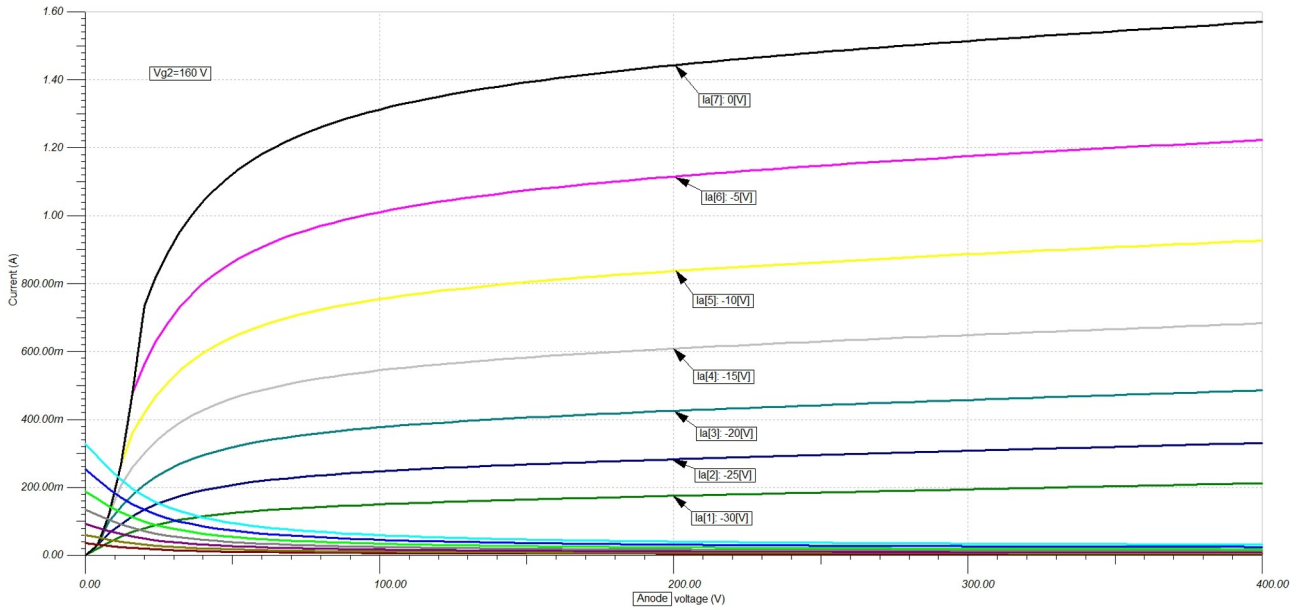


# PL509 Line Output Pentode Spice Model

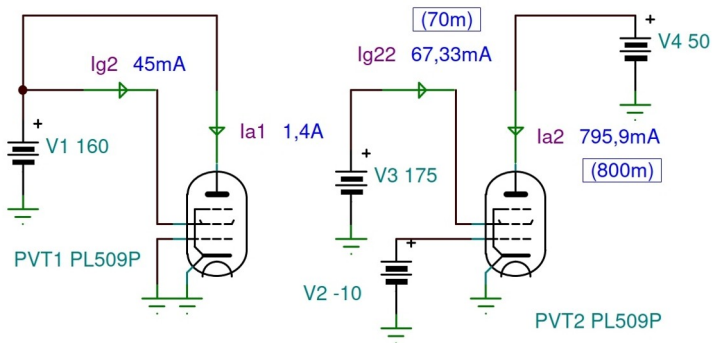
## DC Transfer Characteristics



## Output Characteristics



## Typical Characteristics (measured under pulse conditions)



## Gate Splash Current

