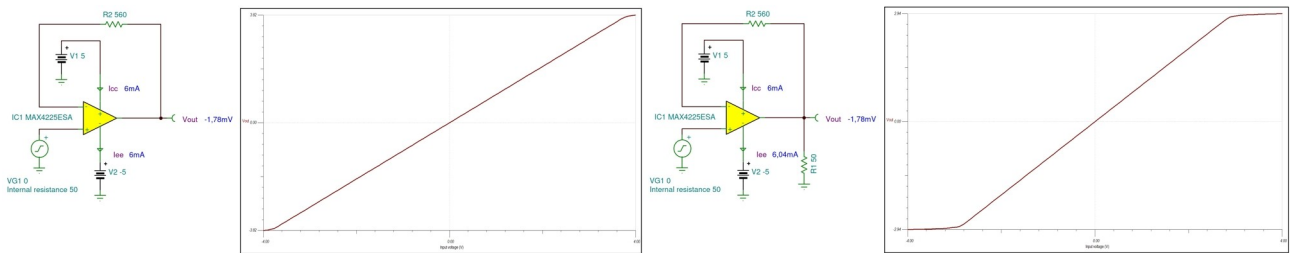
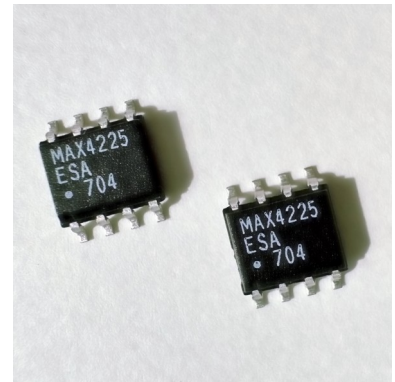
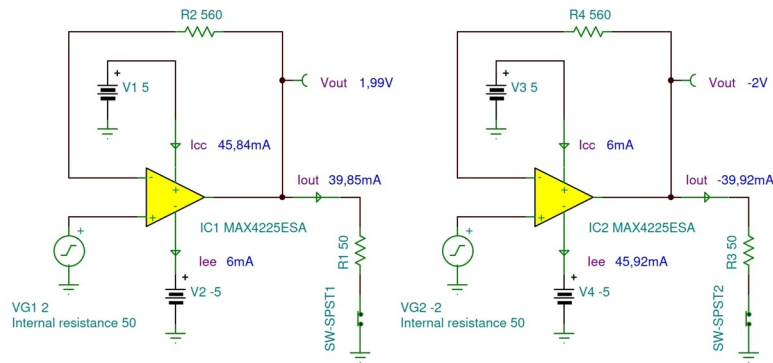
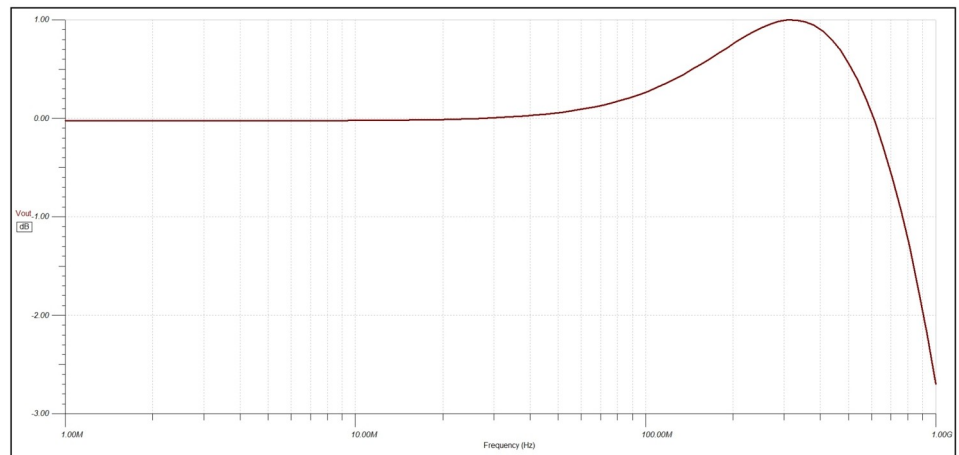
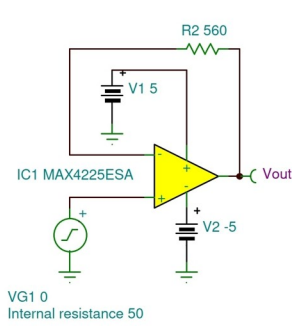


MAX4225 1 GHz Current-Feedback Amplifiers Spice Model

DC Characteristics



AC Characteristics



Video Line Driver

