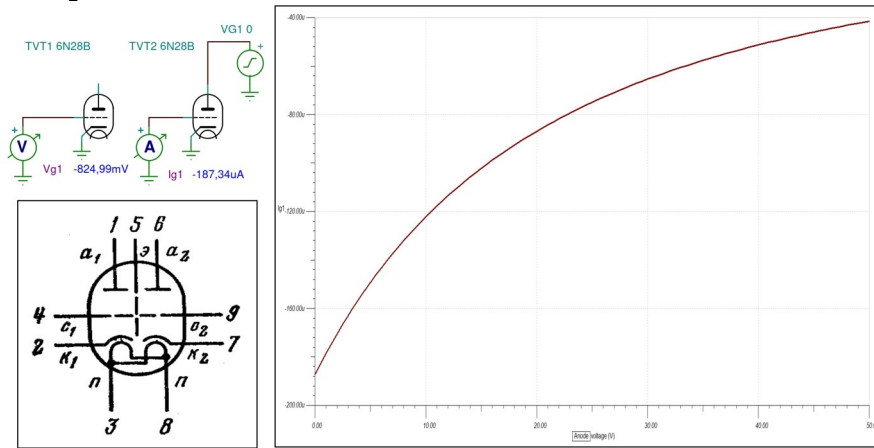
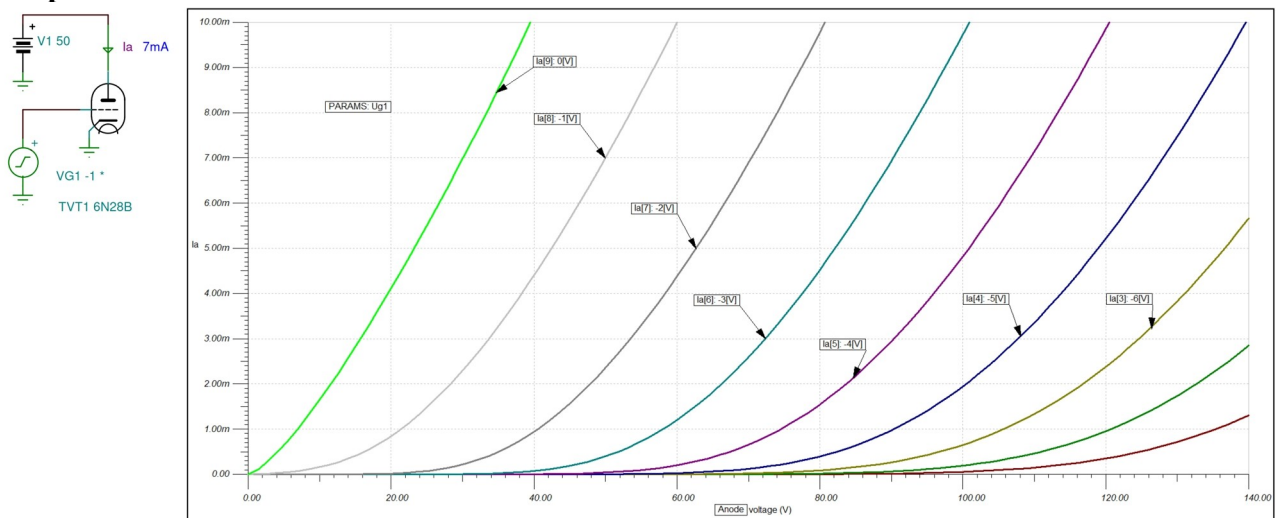


6N28B (6H28Б-B) Subminiature Double Triode Spice Model

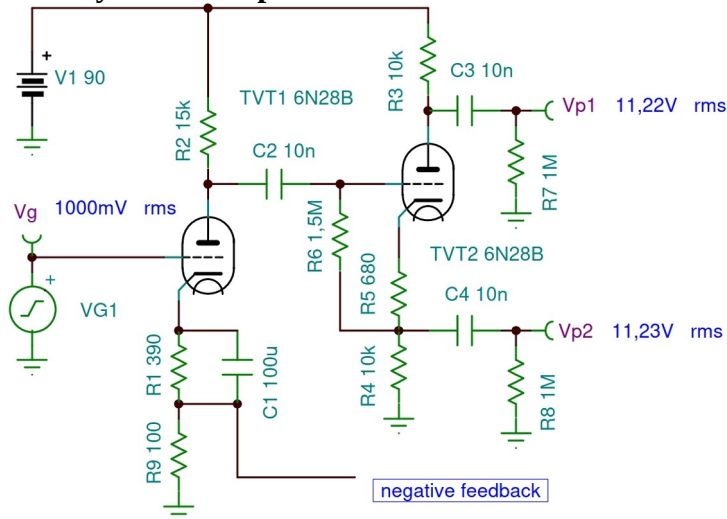
Grid Splash Current



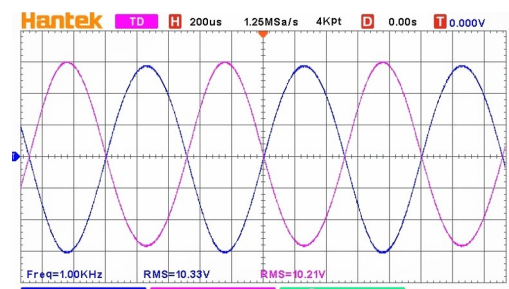
Output Characteristics



Cathodyne Phase Splitter



Model ($A_v=11x$)



Real Tube ($A_v=10x$)

