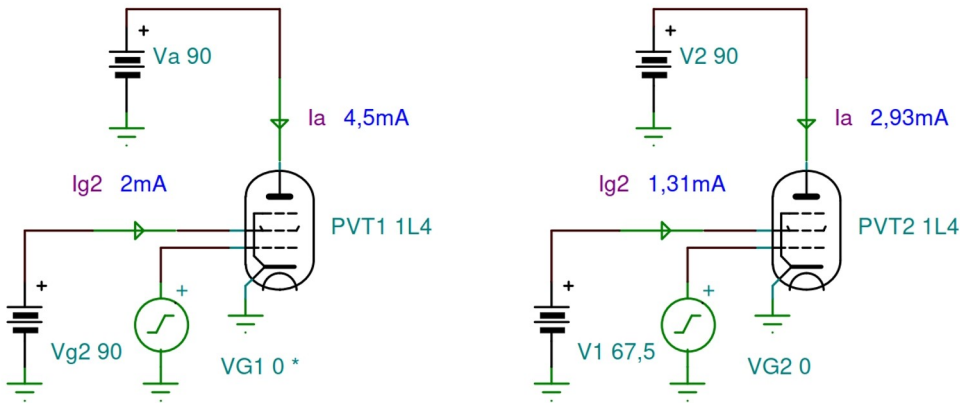
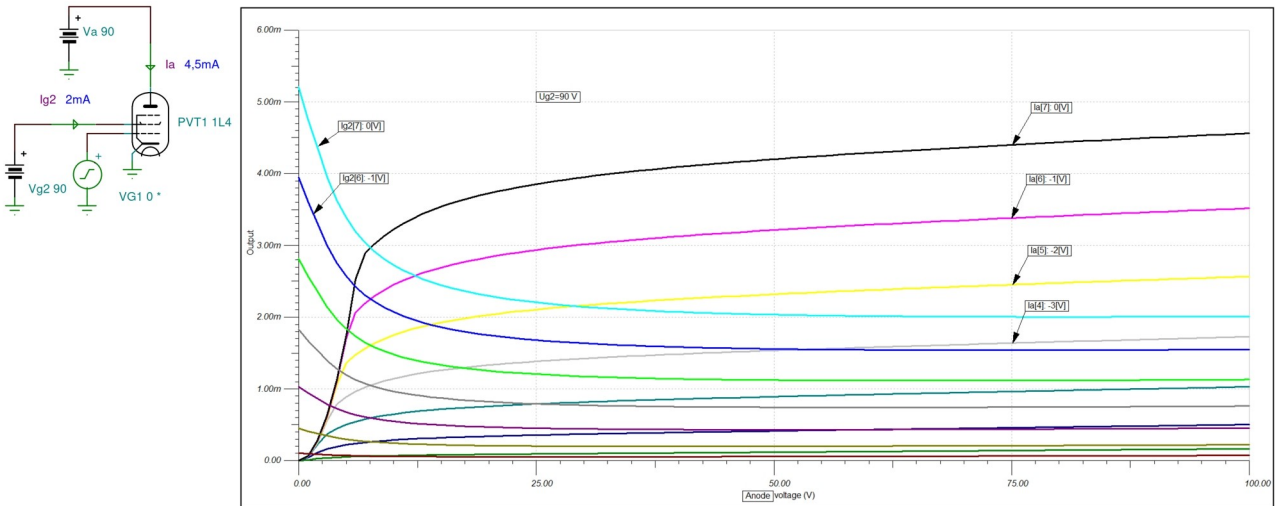


1L4 (CV 1758) RF Pentode Spice Model

DC Characteristics



Output Characteristics



Audio Amplifier

