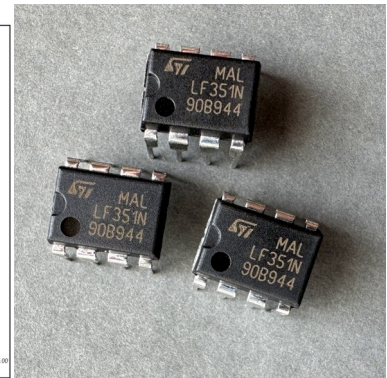
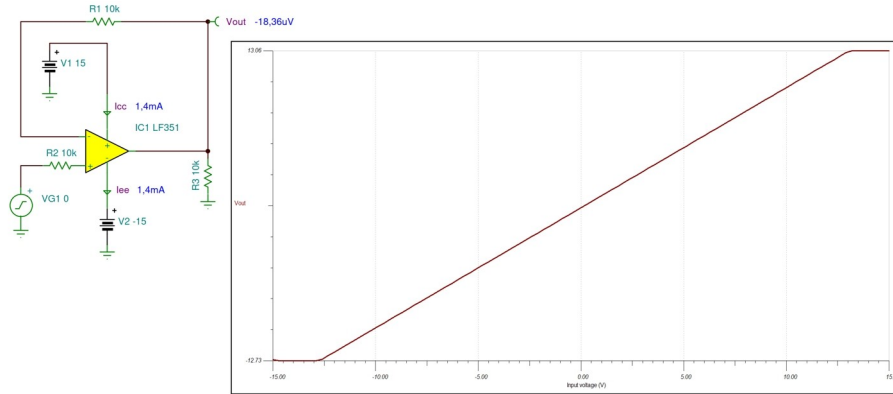
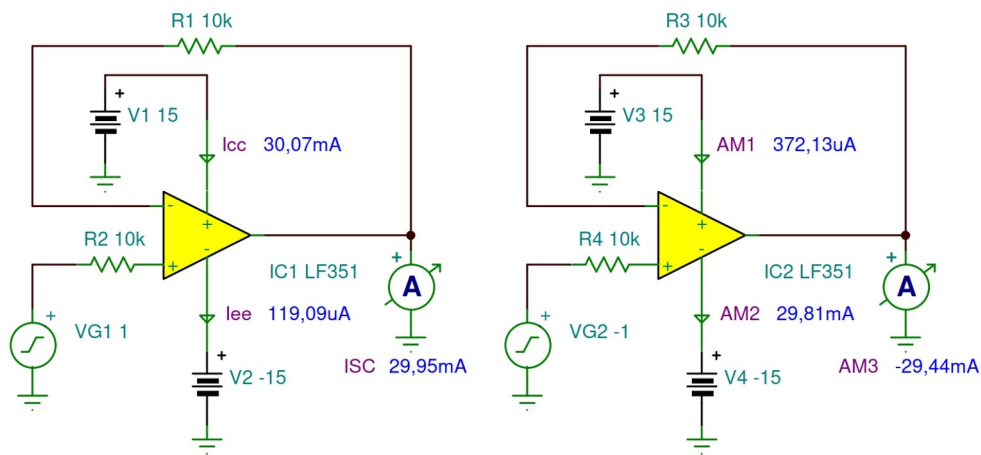


LF351 Wide Bandwidth JFET Input Operational Amplifier Spice Model

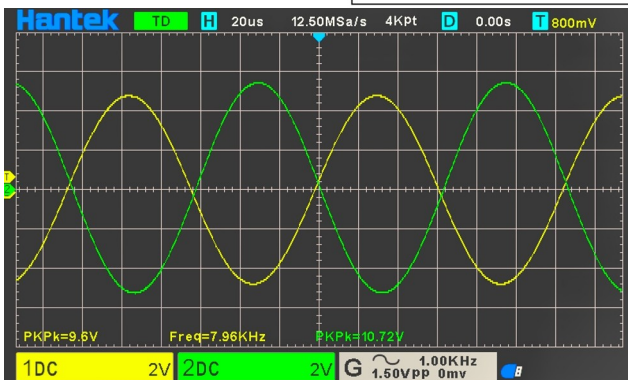
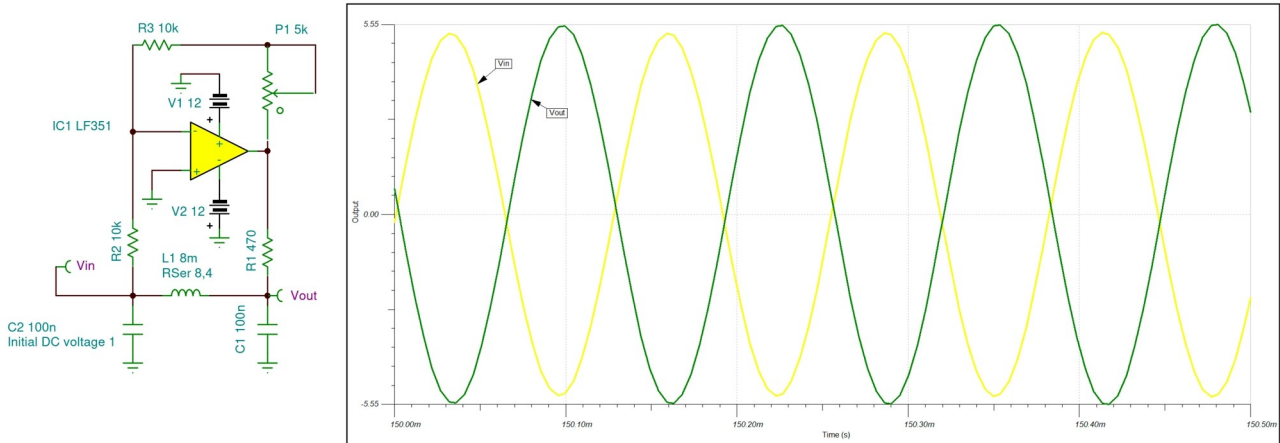
DC Characteristics



Output Short Circuit Current



8 kHz Colpitts Oscillator



Signal shapes of an experimental oscillator. The amplitude and distortion can be adjusted with the trimpot P1. As long as the amplifier is not saturated, the signal at the output of the amplifier is also sinusoidal.

Green: Vout
Yellow: Vin