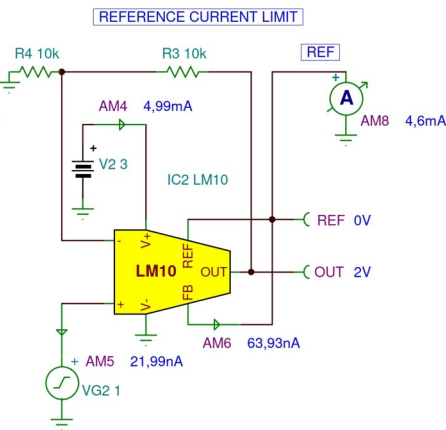
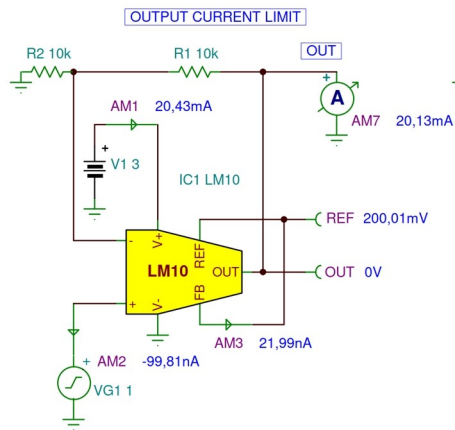
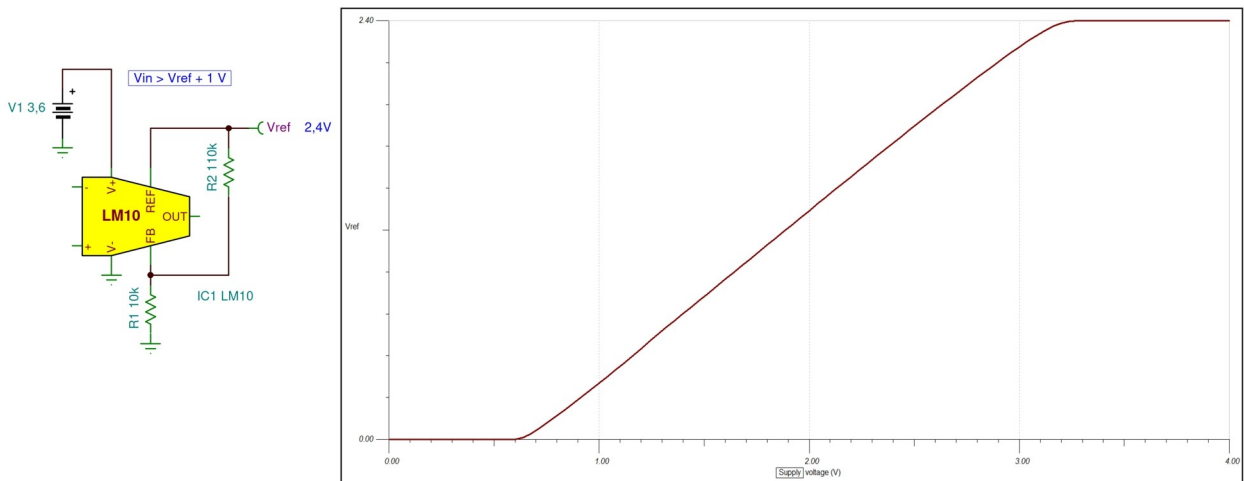
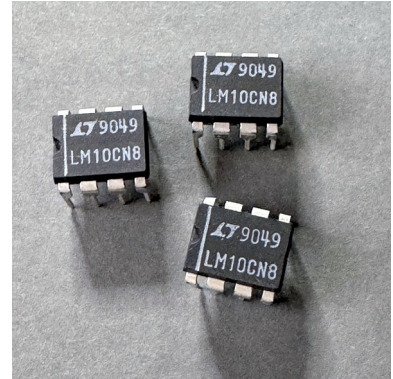
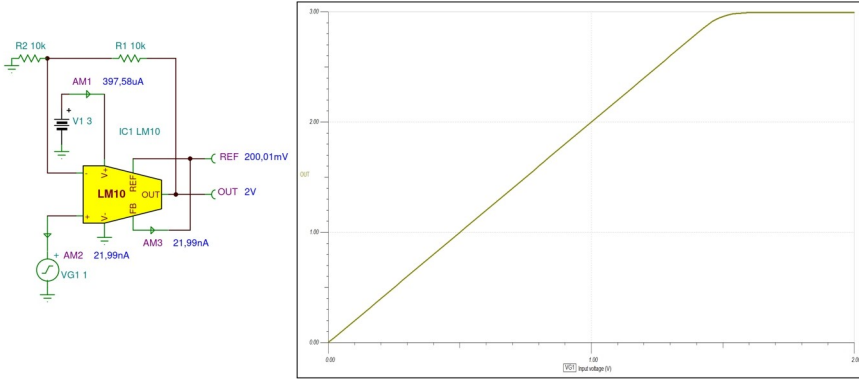


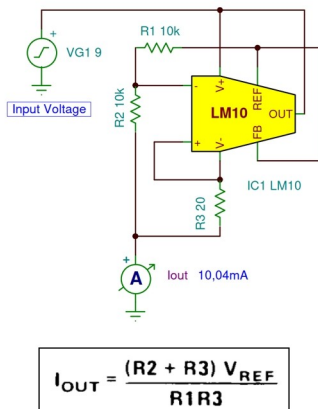
LM10 Operational Amplifier and Voltage Reference Macro Model

DC Characteristics

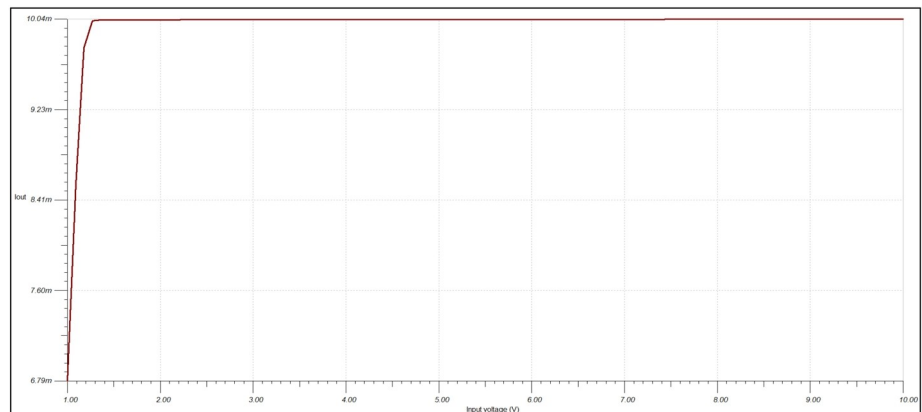


The input common-mode voltage range of the LM10 extends from the negative rail to 0.85 V less than the positive rail. The regulator is protected from shorts or overloads by current limiting and thermal shutdown.

Current Regulator



$$I_{OUT} = \frac{(R2 + R3) V_{REF}}{R1R3}$$



Micro Power Wien Bridge Oscillator

