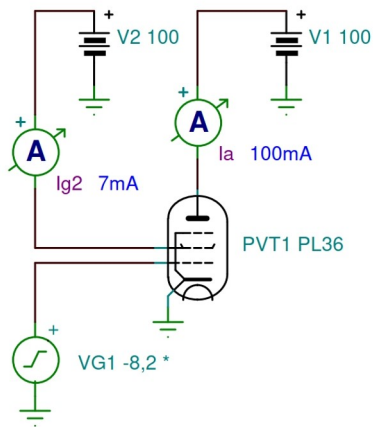
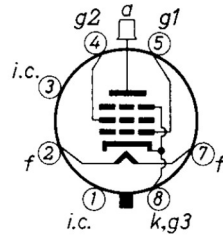


PL36 Line Output Pentode Macro Model

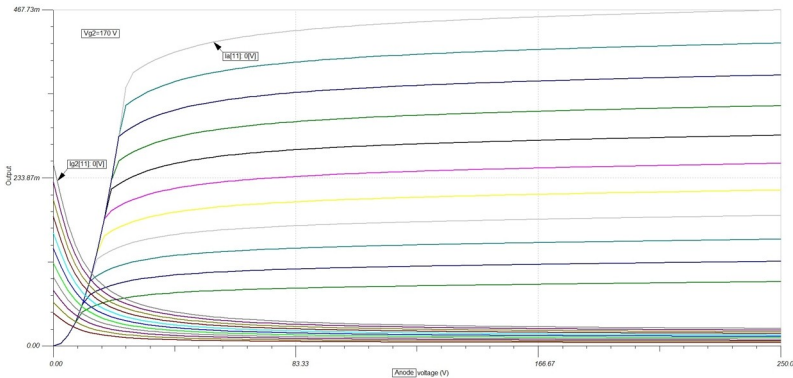
DC Characteristics



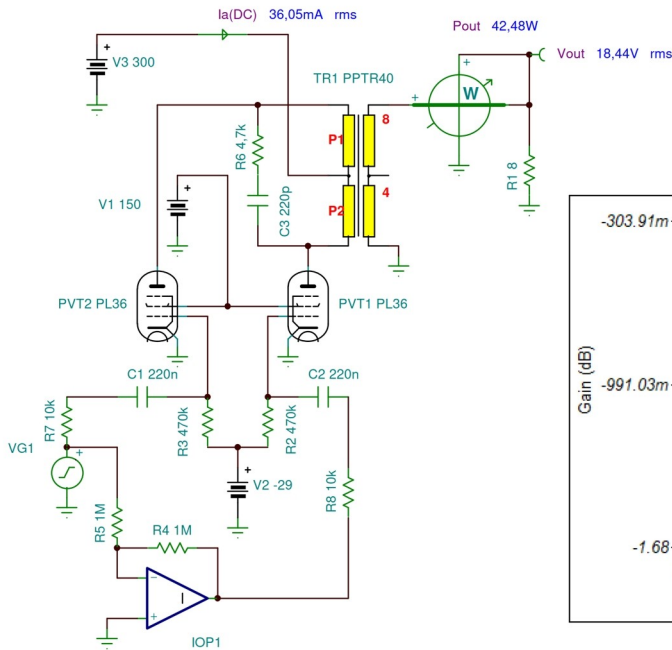
Connections



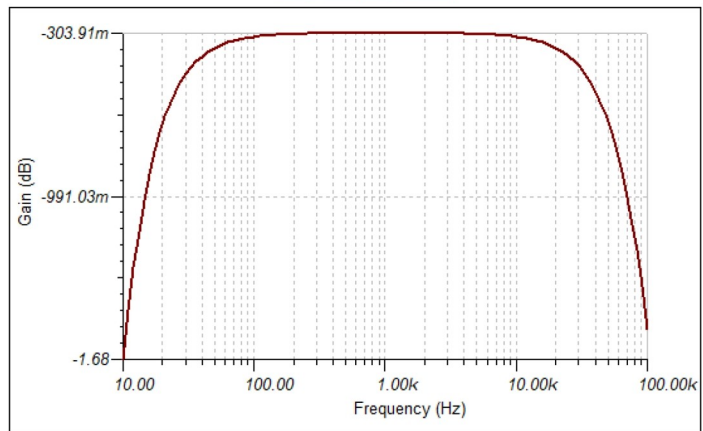
Output Characteristics



Operating Characteristics as Class B Amplifier

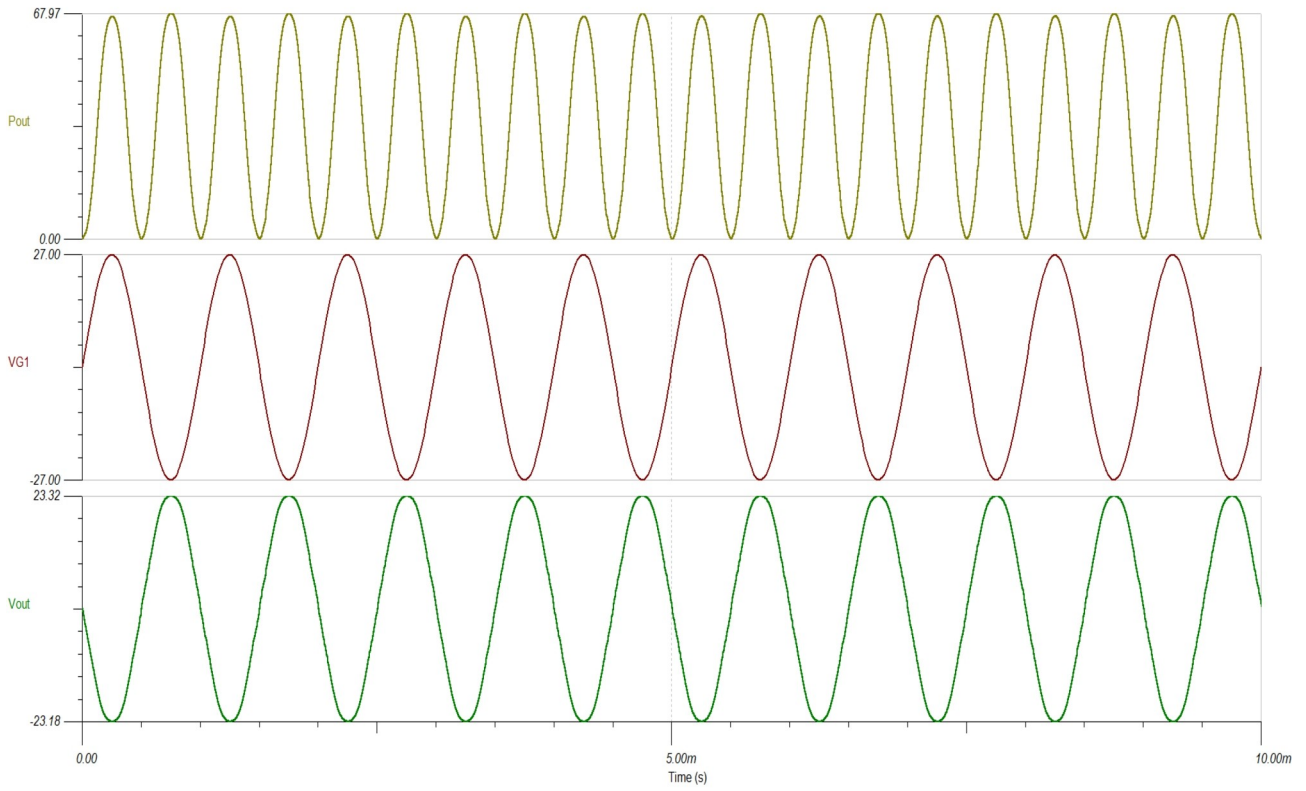


Frequency response



TR1 Lp1 = Lp2 = 22 H, Raa = 3.5 kΩ

The timing diagram is shown on the next page.



Gate Splash Current

