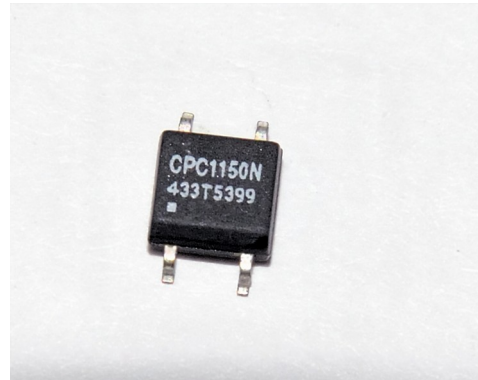
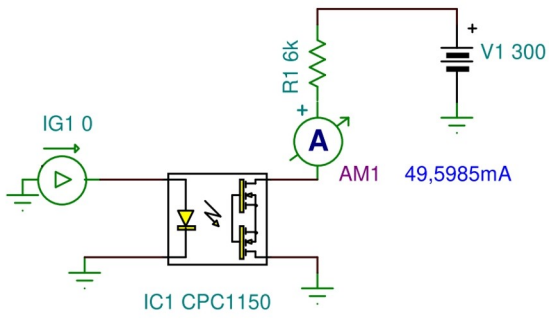
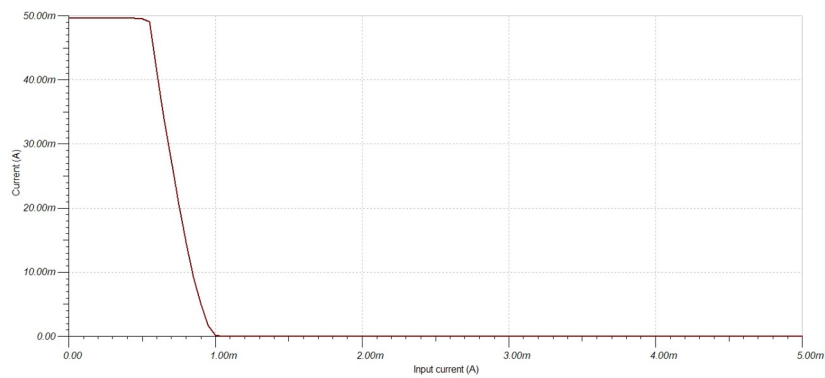


# CPC1150N Single-Pole, Normally Closed OptoMOS<sup>®</sup> Relay Macro Model

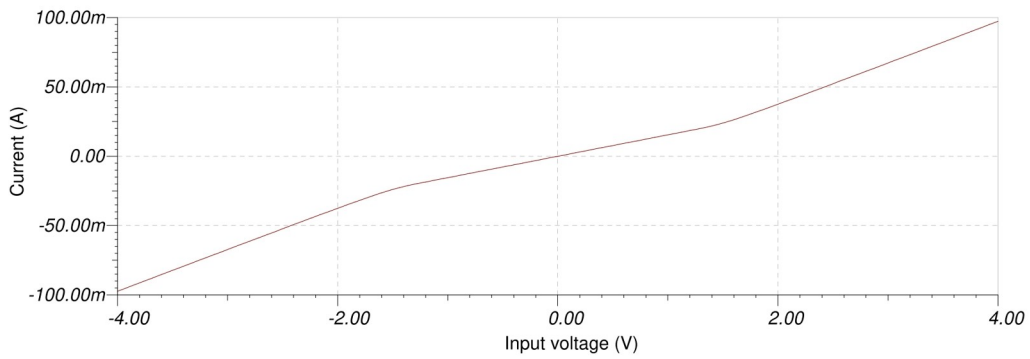
## DC Characteristics



## Coupled Electrical Characteristics



## Output Characteristics



## Switching Characteristics

