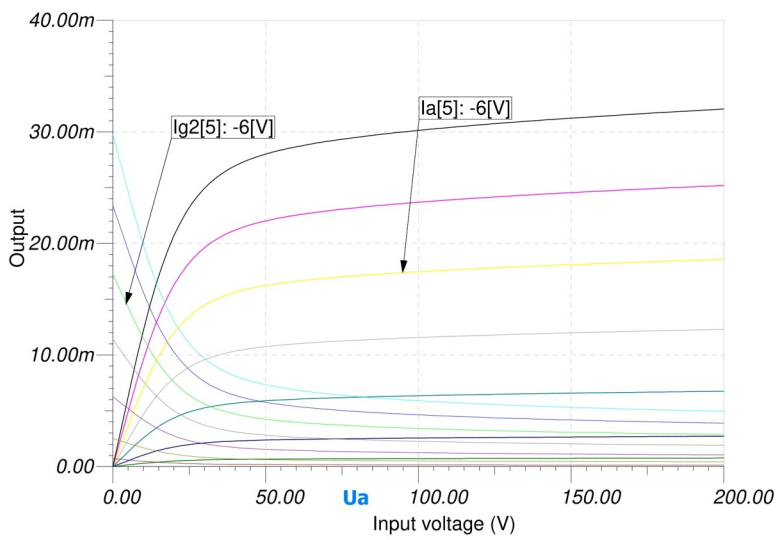
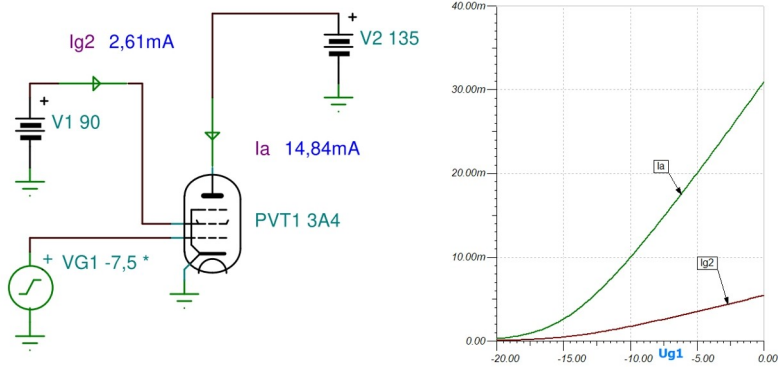
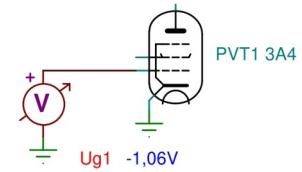


3A4 Miniature Power Pentode Macro Model

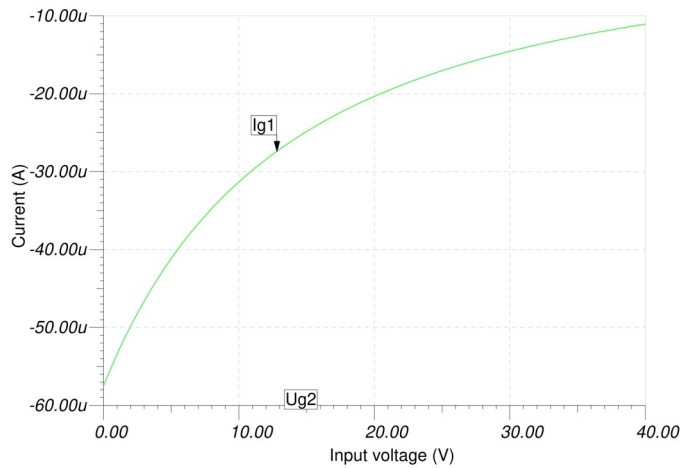
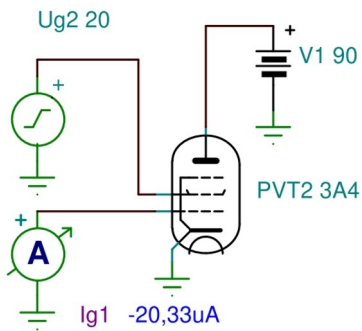
DC Characteristics



Gate Splash Current



$$I_{g1} = f(U_{g2})$$



This model is valid for the following tubes (within max. ratings):
DL93, 2P3, CV2390, CV807

Audio Power Amplifier

