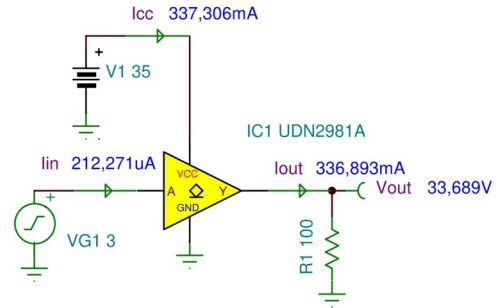
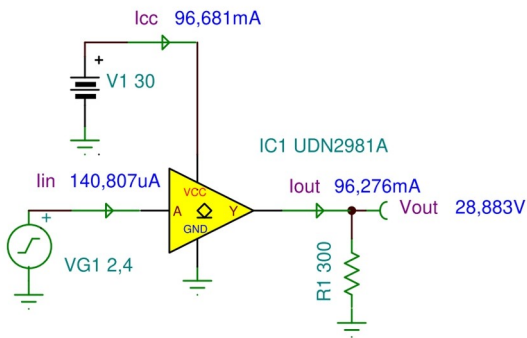
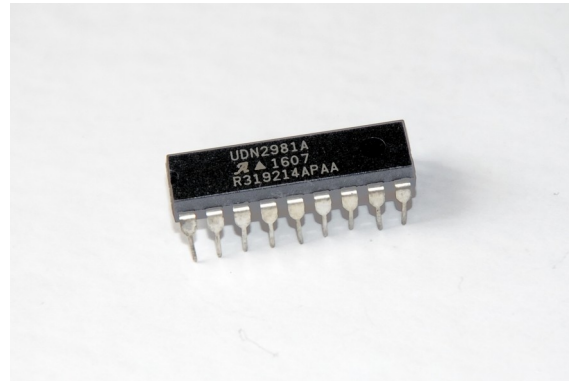
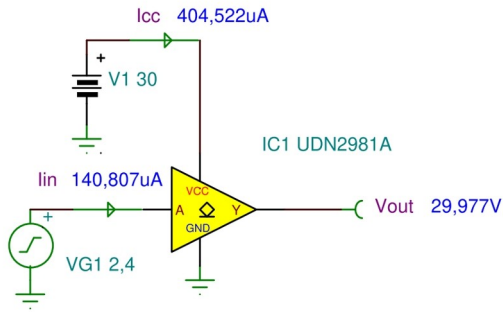
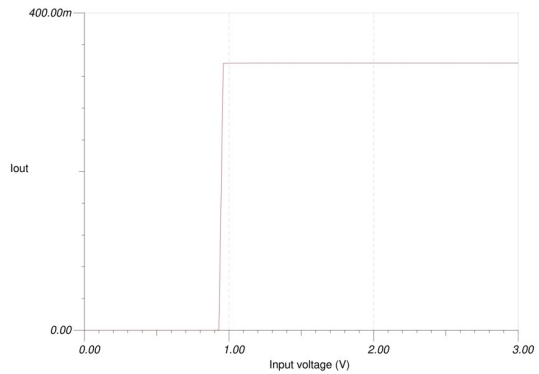


UDN2981A 8-Channel Source Drivers Macro Model

DC Characteristics



DC Transfer Characteristics



Switching Characteristics

