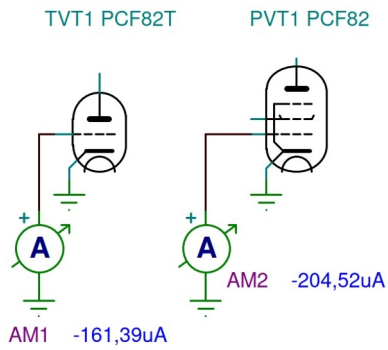
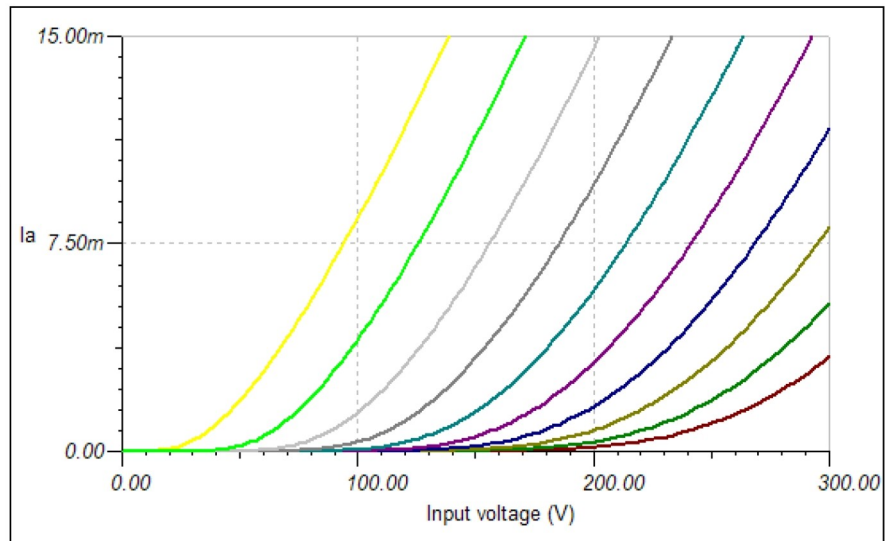
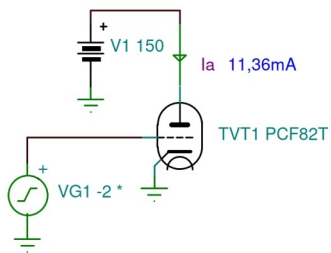


PCF82 Triode-Pentode Macro Model

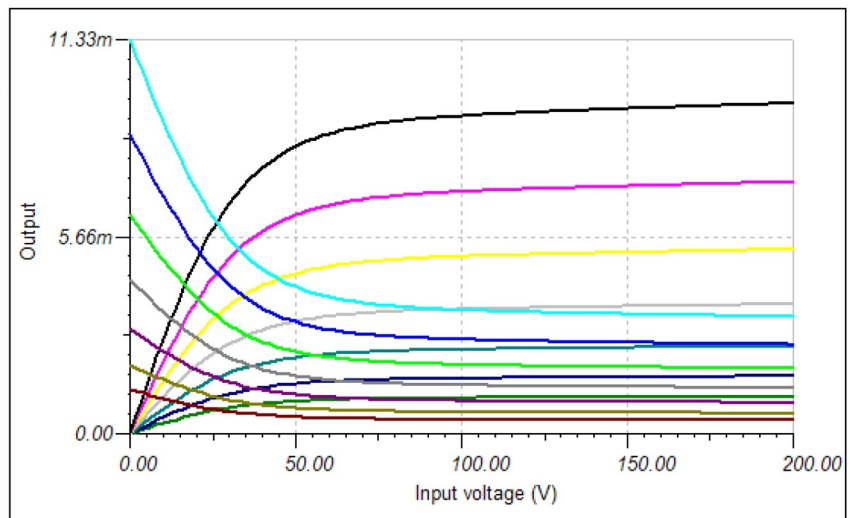
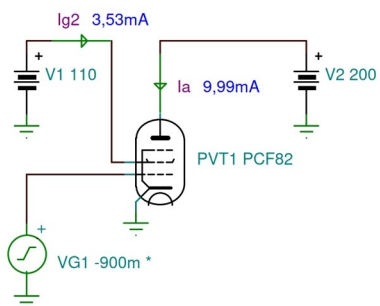
Gate Diode Splash Currents



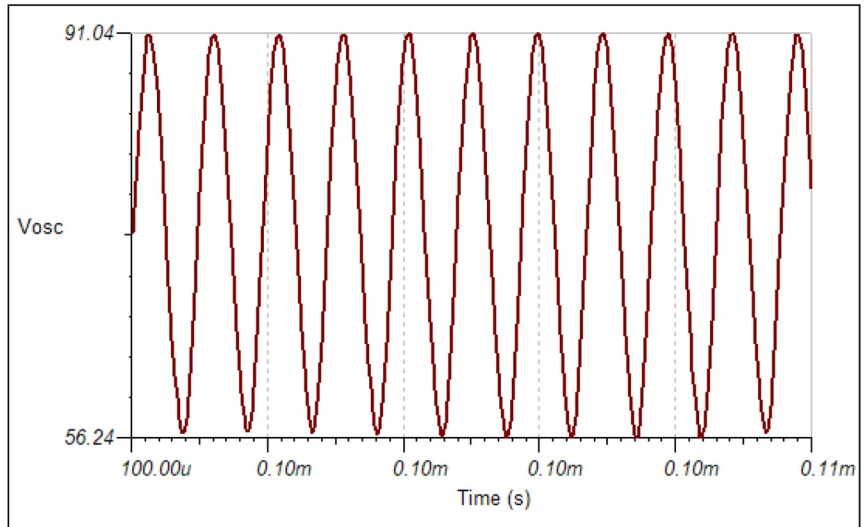
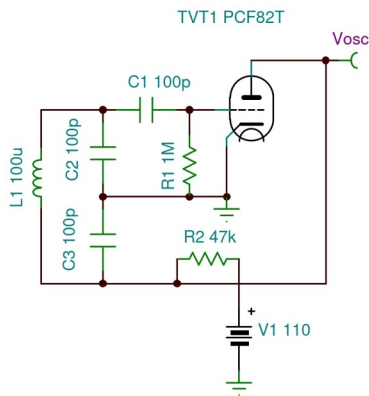
DC Characteristics



Ug1 -1 to -10 V



Triode Colpitts Oscillator



AM Circuit

