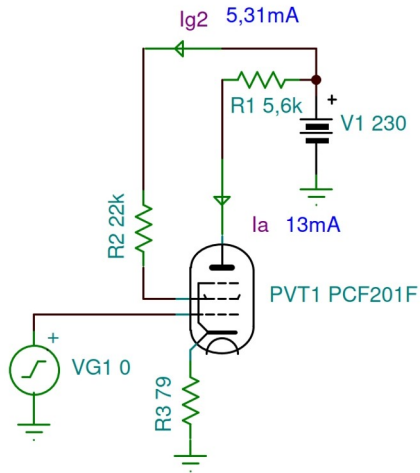
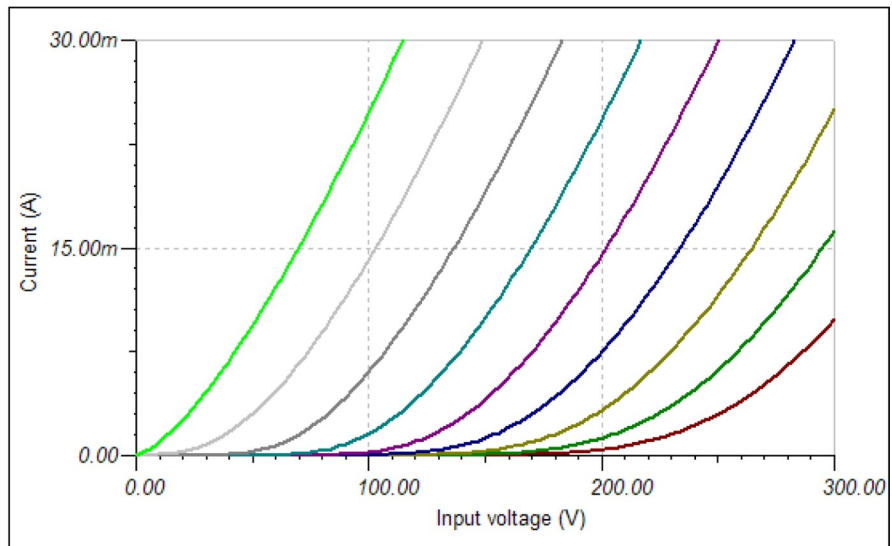
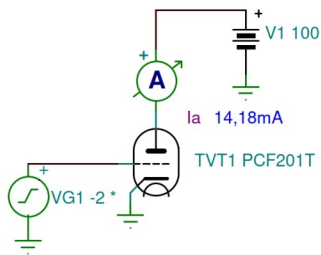


PCF201 Triode-Pentode Macro Model

Pentode section as video I.F. amplifier



DC Characteristics



Ug1= 0 to -16 V

