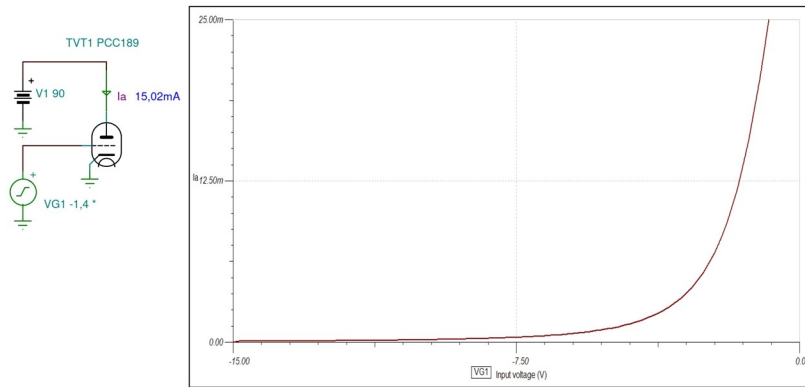


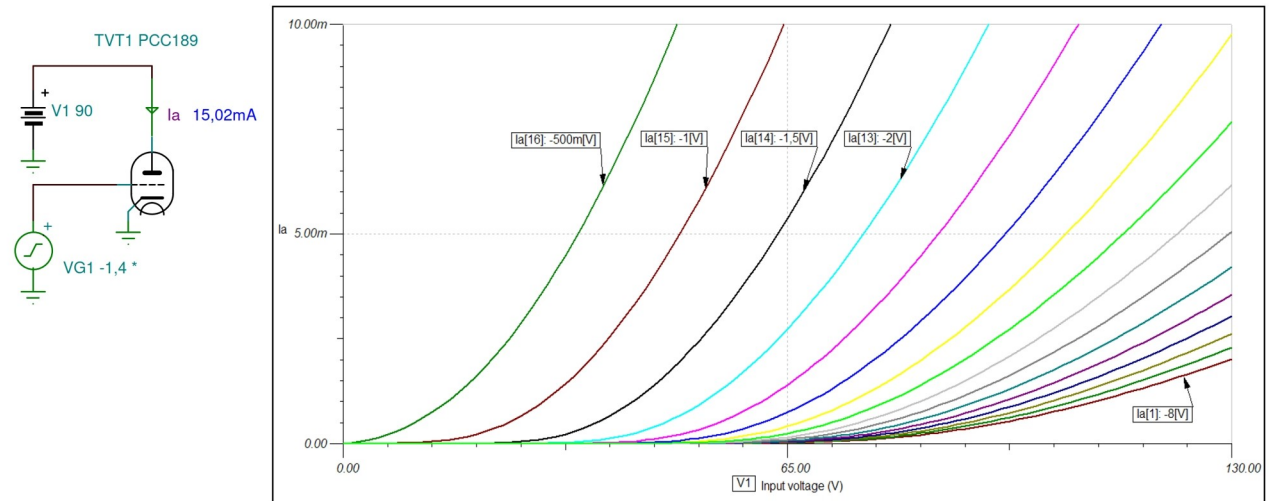
# PCC189 Variable Conductance, Double Triode Macro Model

## DC Characteristics

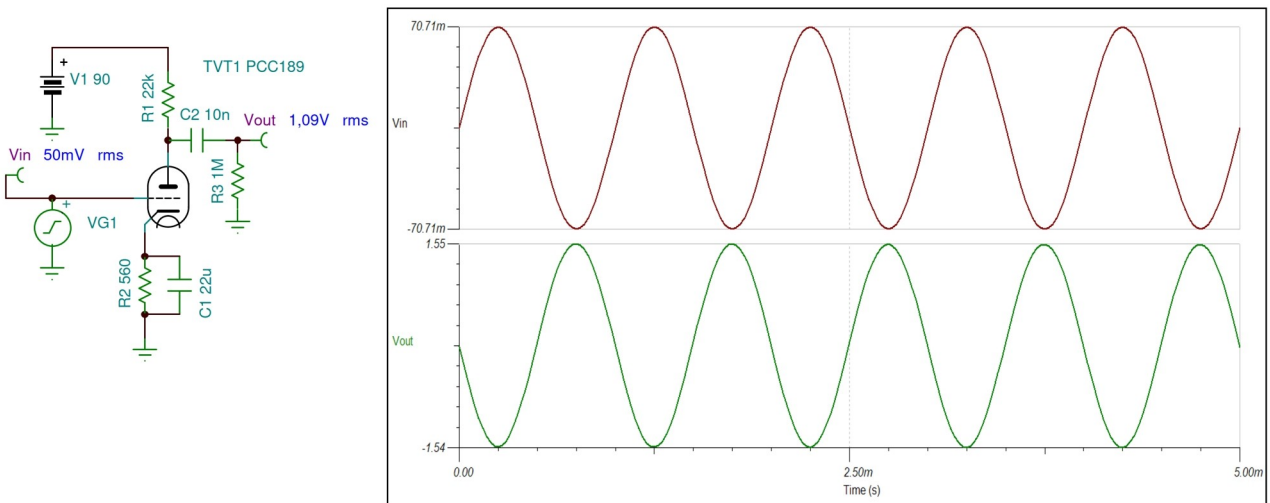


This model is valid for the following tubes (within max. ratings): ECC189, 6ES8, 7ES8.

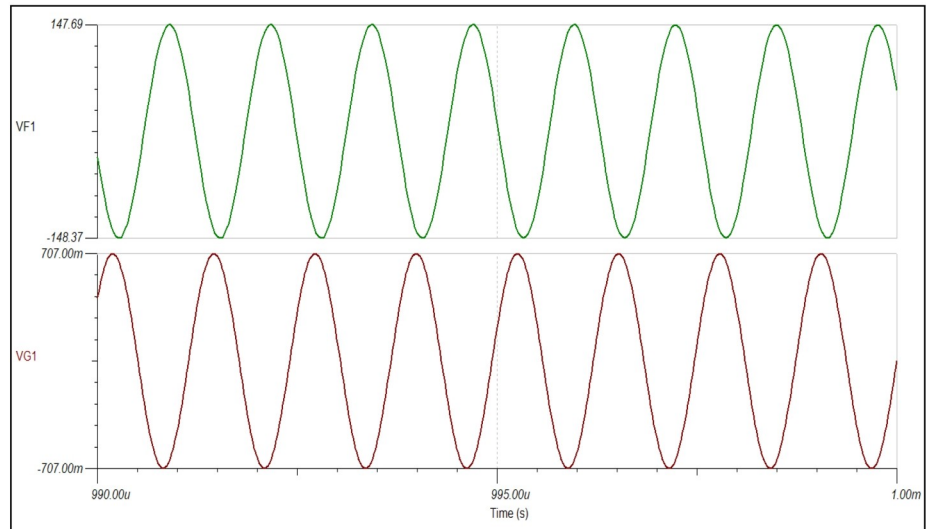
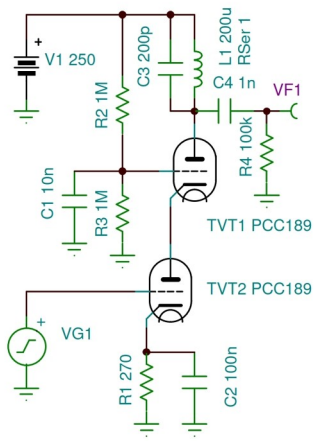
## Output Characteristics



## Low Level, Low Noise Audio Amplifier



## Cascode (series connected) HF Amplifier



## Grid Splash Current

