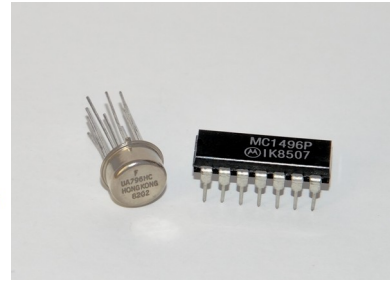
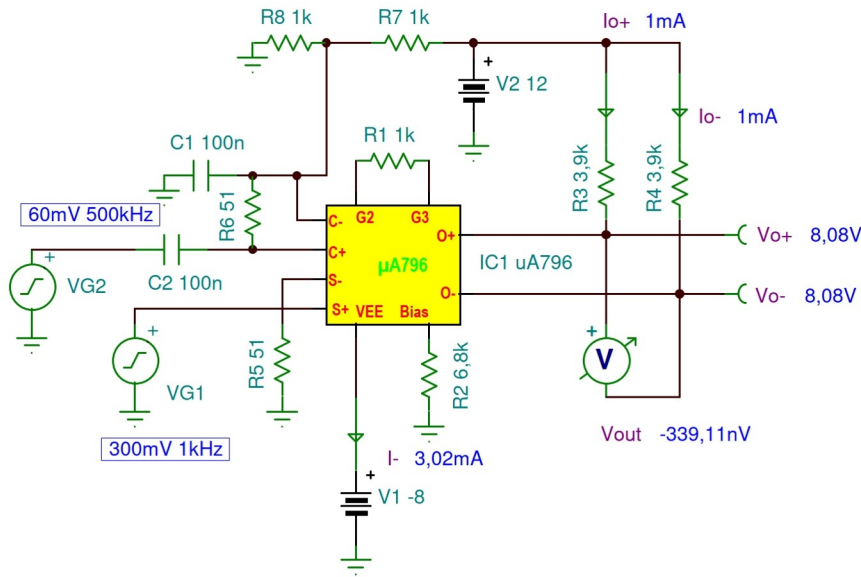
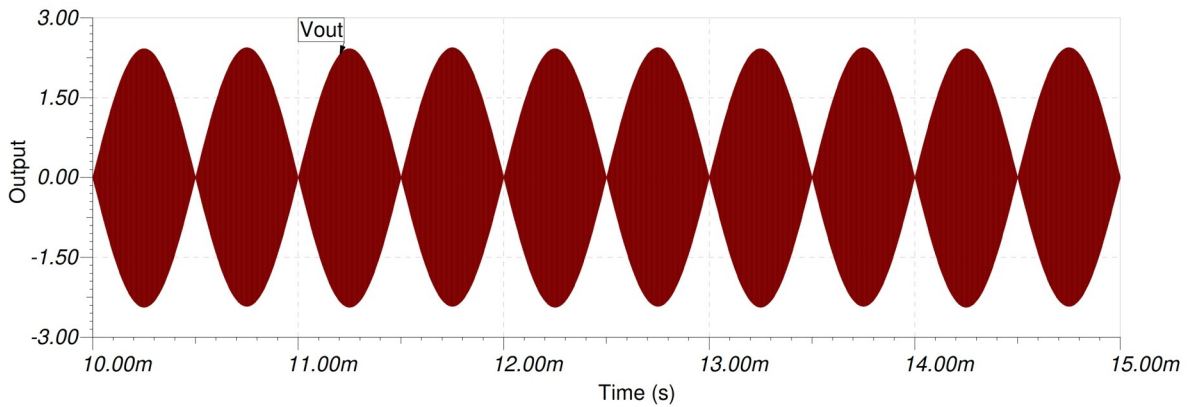


uA796 MC1496 Balanced Modulator/Demodulator Macro Model

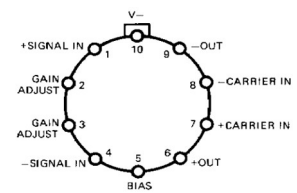
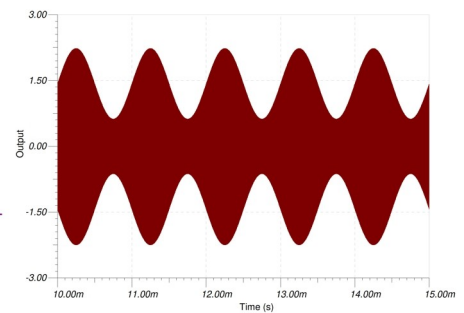
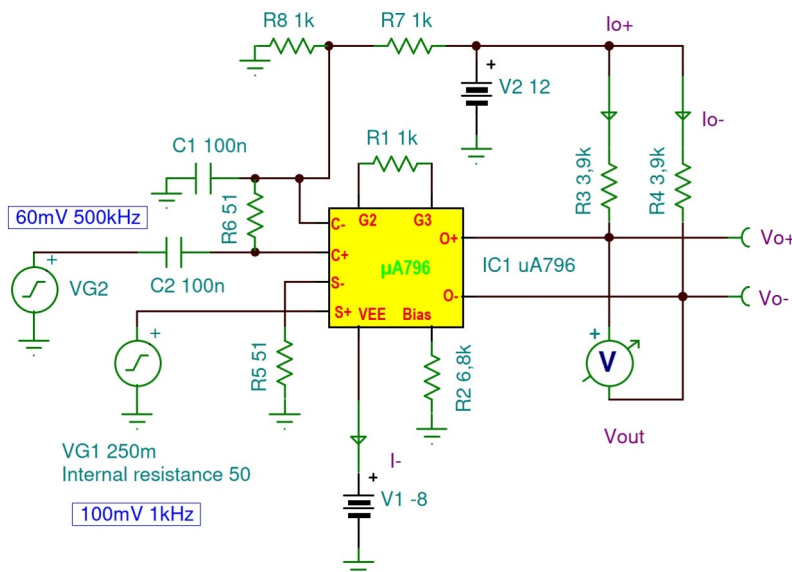
DC Characteristics



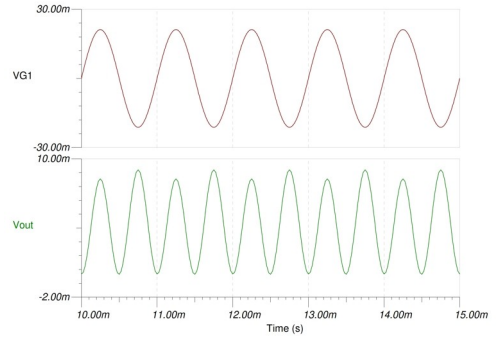
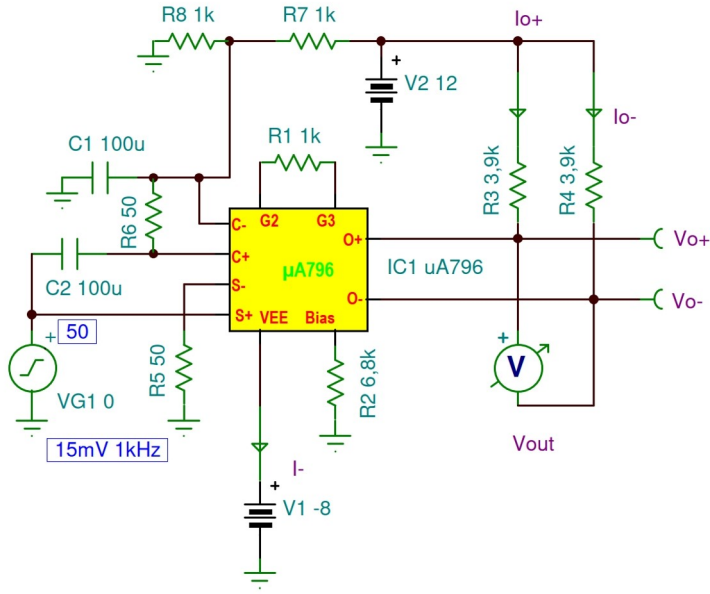
Carrier Suppression



AM Modulator Circuit



Low-Frequency Doubler



| | | | |
|--------------|---|----|-----------------|
| Signal Input | 1 | 14 | V _{EE} |
| Gain Adjust | 2 | 13 | N/C |
| Gain Adjust | 3 | 12 | Output |
| Signal Input | 4 | 11 | N/C |
| Bias | 5 | 10 | Carrier Input |
| Output | 6 | 9 | N/C |
| N/C | 7 | 8 | Input Carrier |