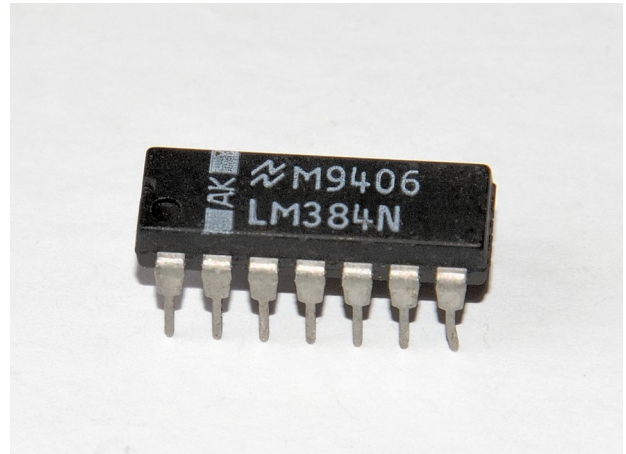
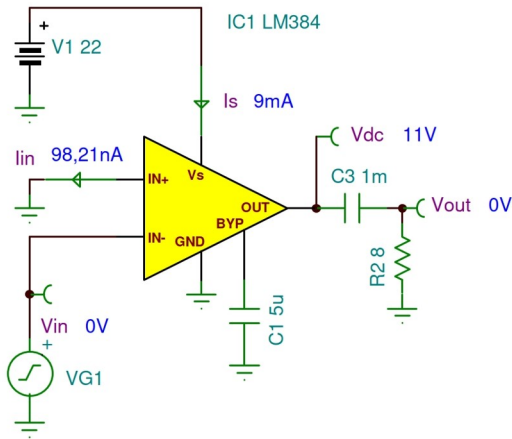
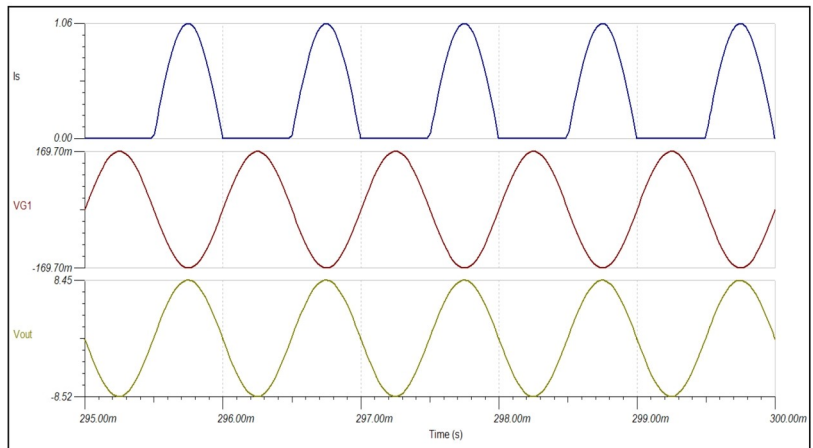
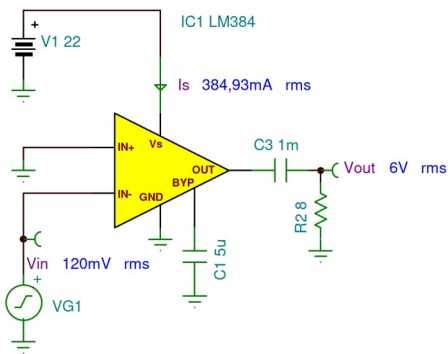


LM384 Audio Power Amplifier Macro Model

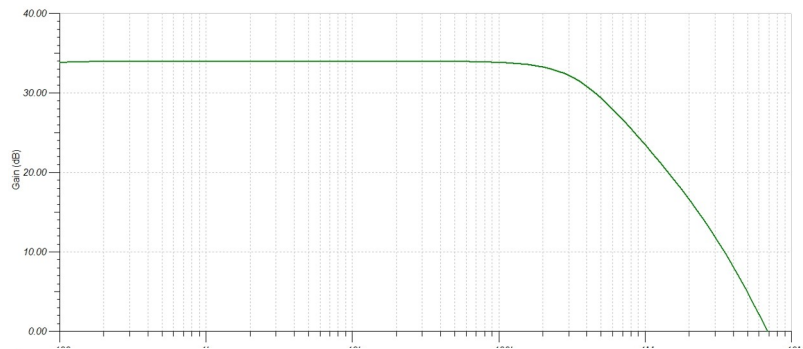
DC Characteristics



Audio Amplifier



Output Voltage Gain vs Frequency ($R_L=8 \Omega$)



Power Supply Current vs Supply Voltage

