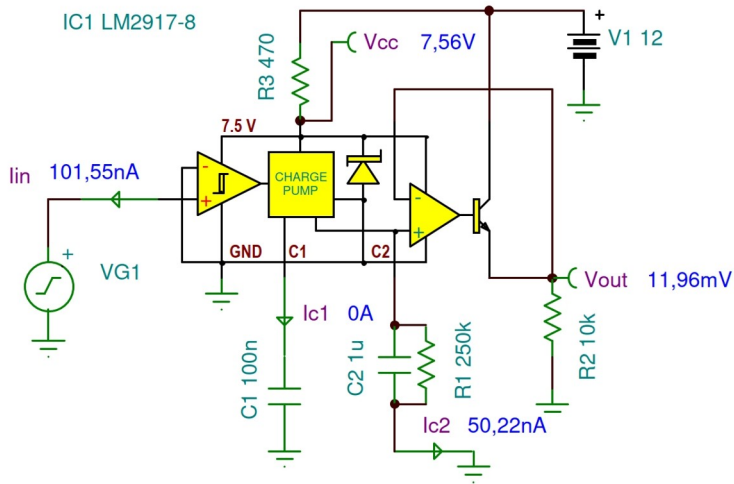
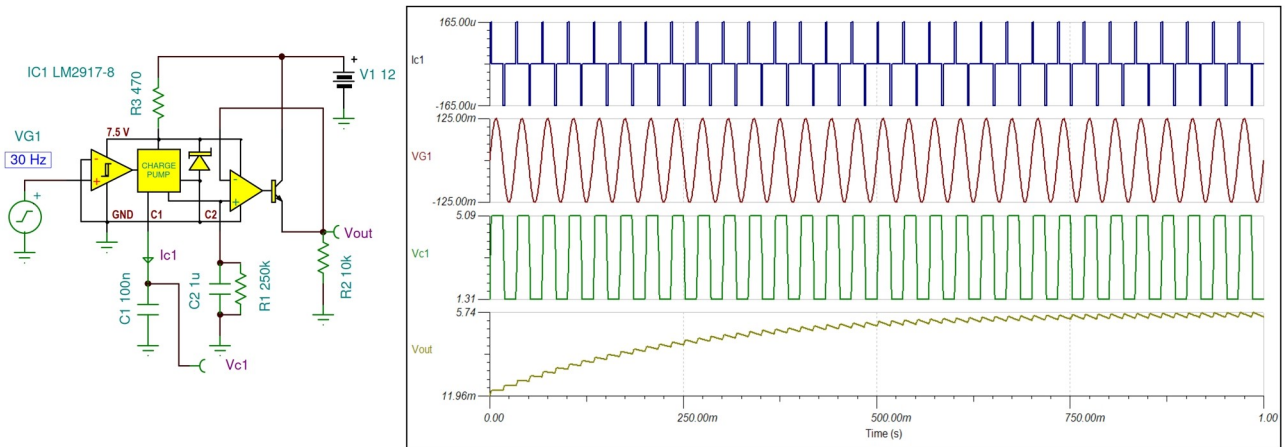


LM2917-8 Frequency to Voltage Converter Macro Model

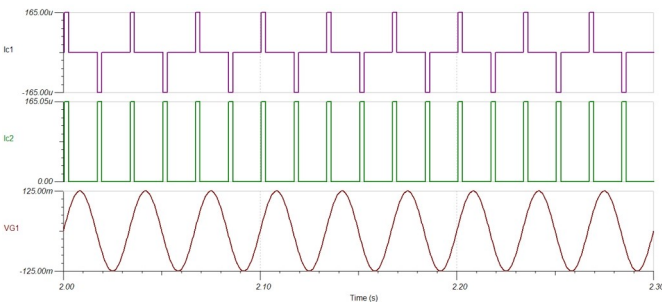
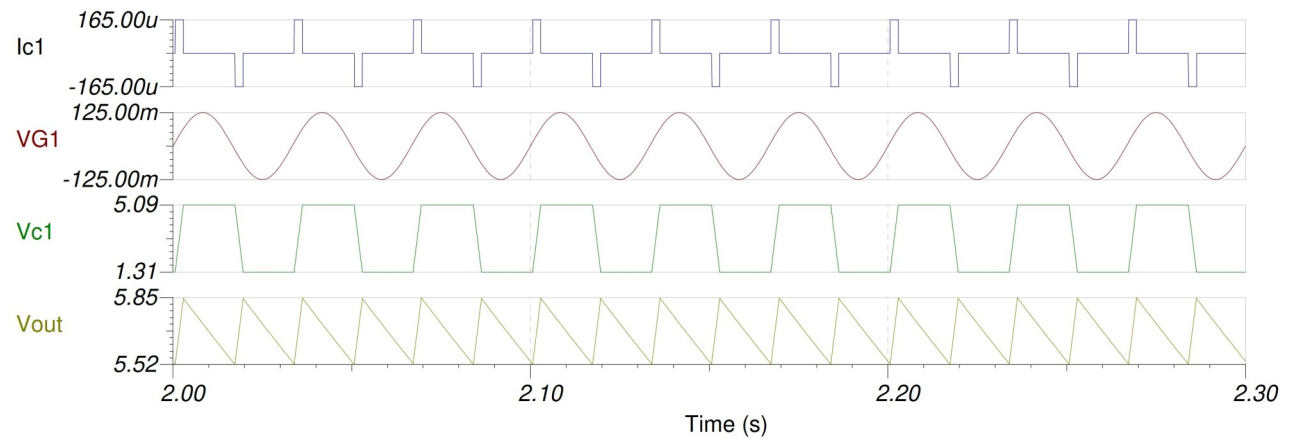
DC Characteristics



30 Hz AC Characteristics



Output Ripple Voltage



Tachometer Currents Ic1 and Ic2