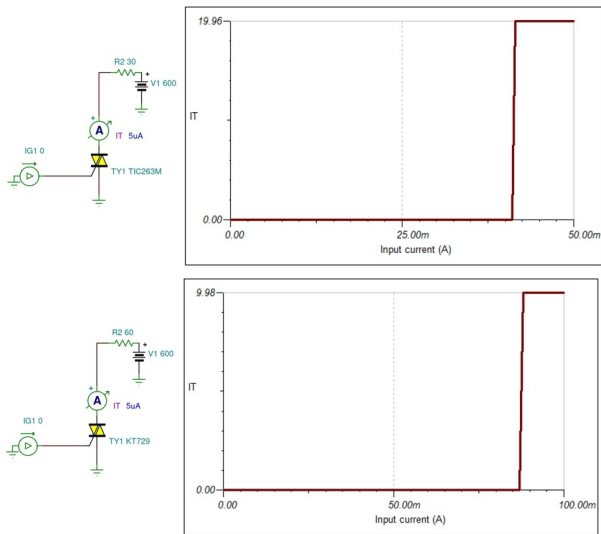


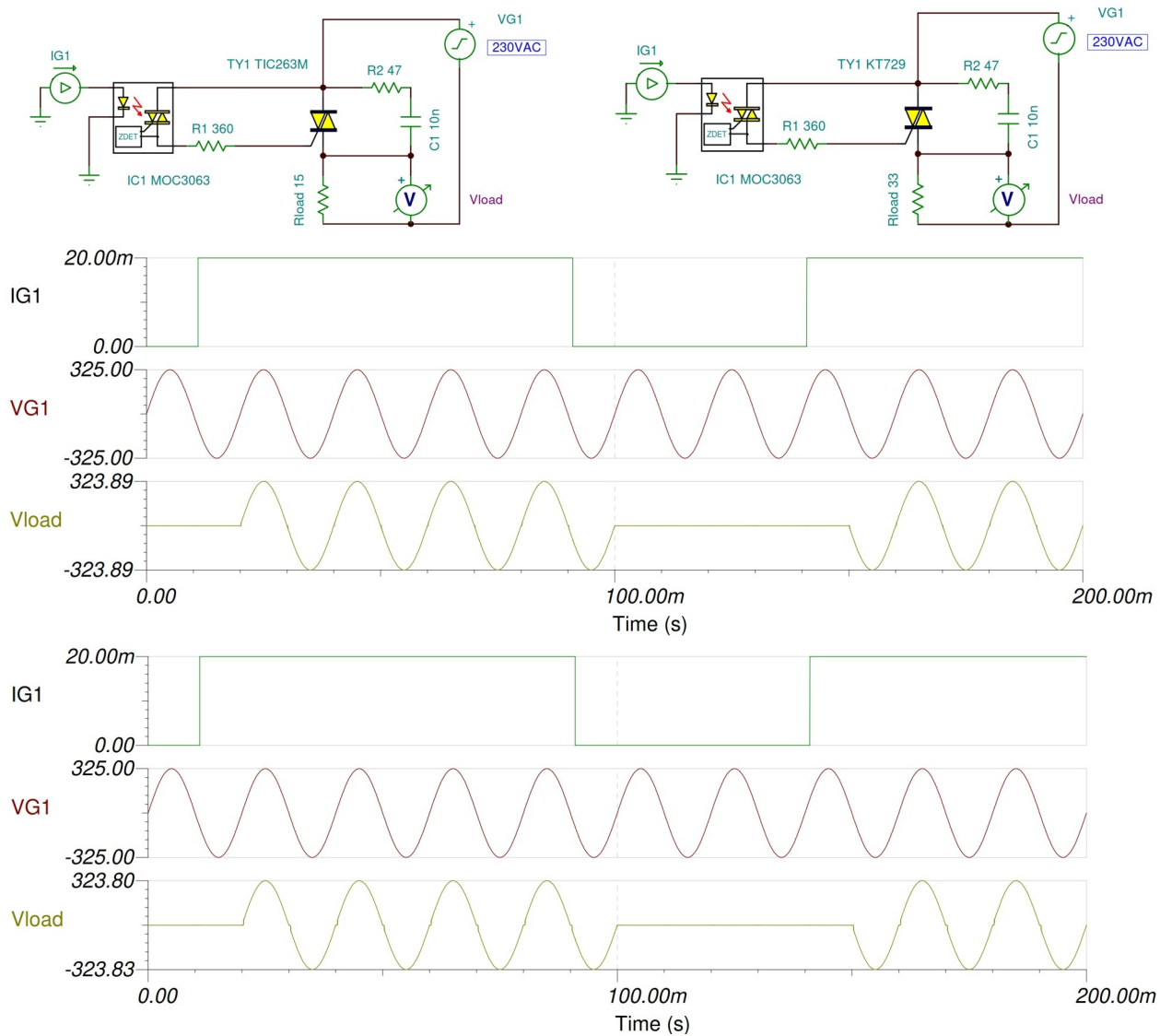
TIC263, KT729/700 Triac Spice Models

DC Characteristics



TIC263 & KT729/700 (TESLA)

Typical Applications



The upper diagram is TIC263, and the lower diagram is KT729/700.

Zabb Csaba