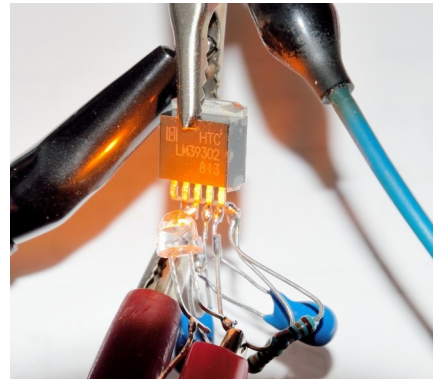
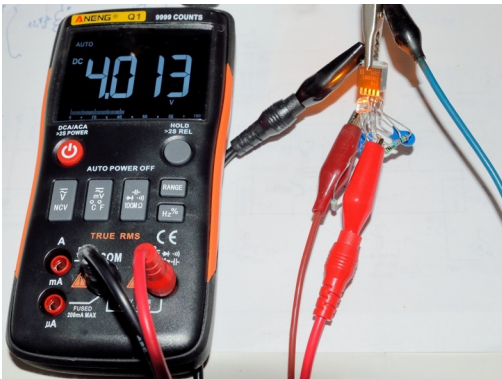
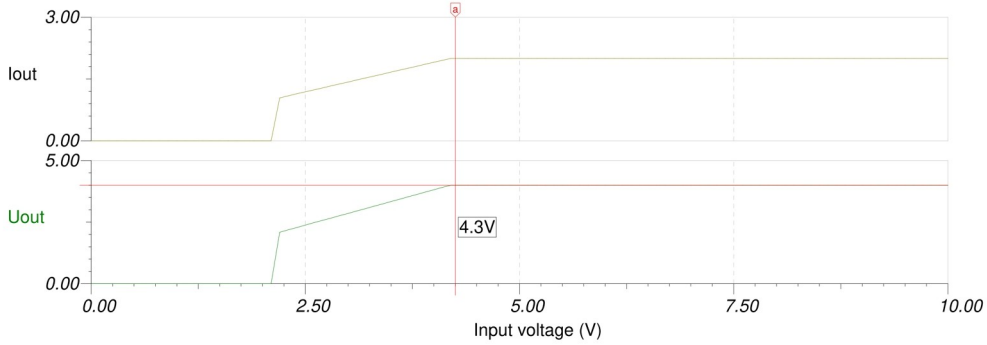
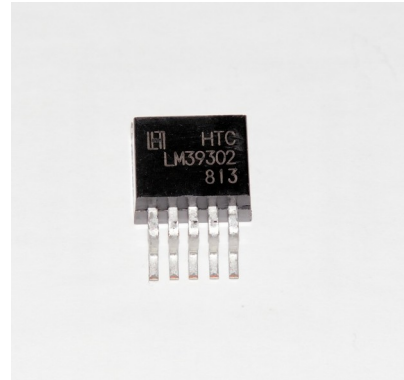
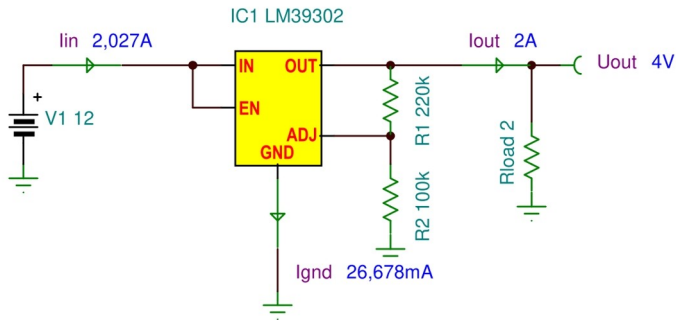
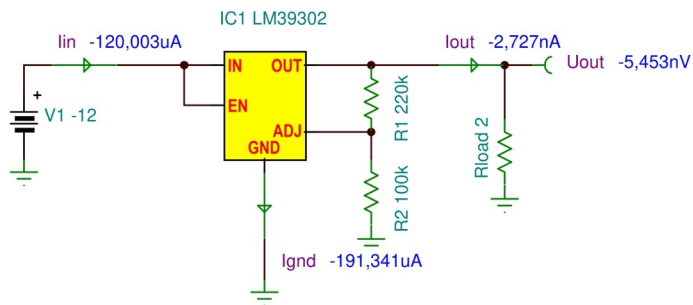


LM39302 Low-Voltage Low-Dropout Regulator Macro Model

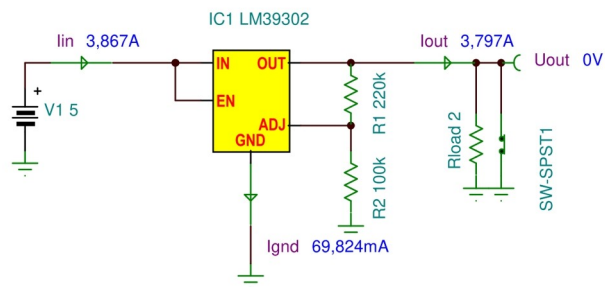
DC Characteristics



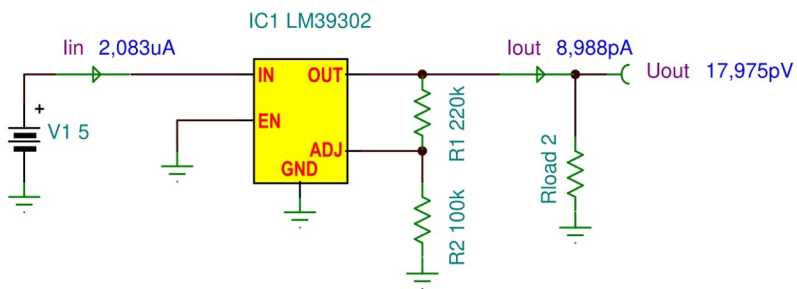
Reversed-battery protection



Current limiting



Shutdown output current



Over voltage protection

