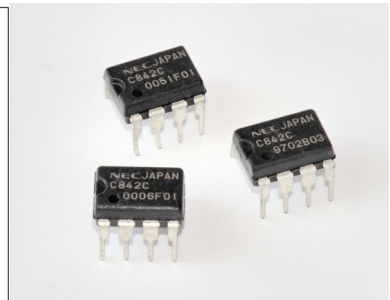
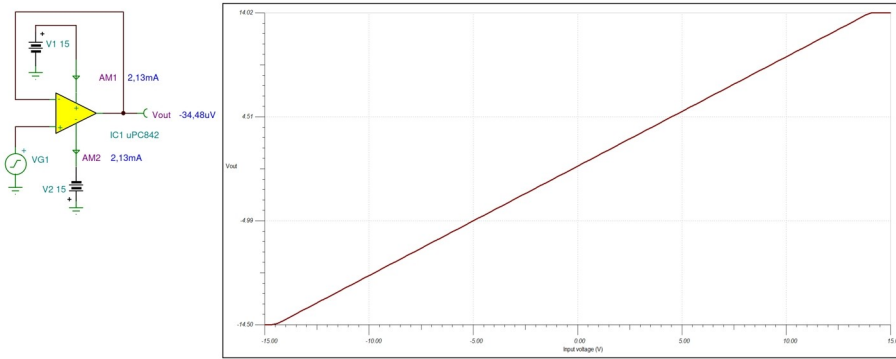
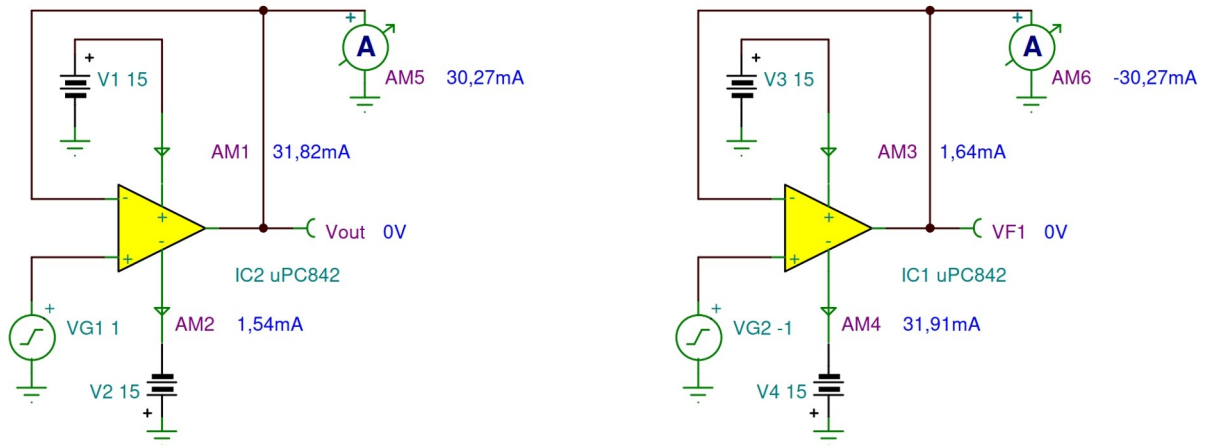


μPC842 Single Supply Voltage Amplifiers Macro Model

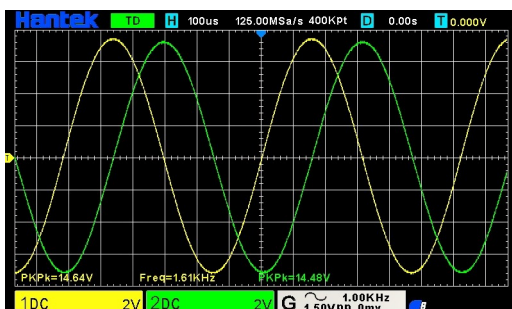
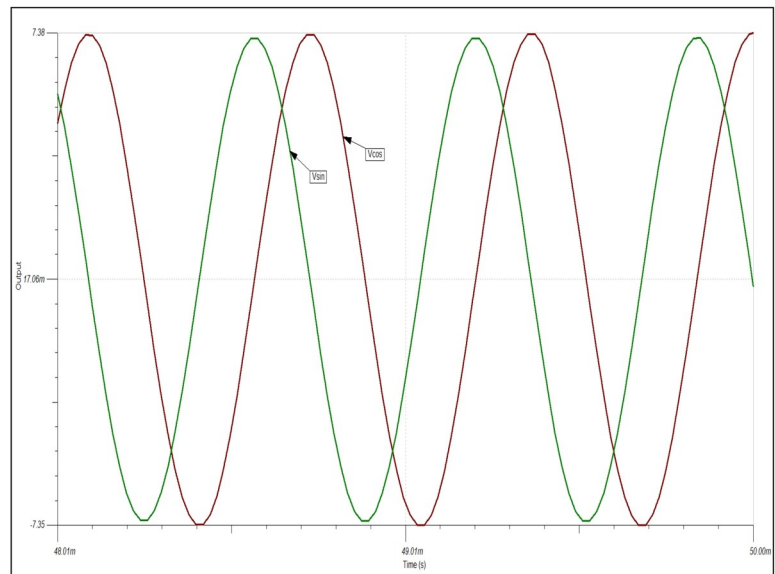
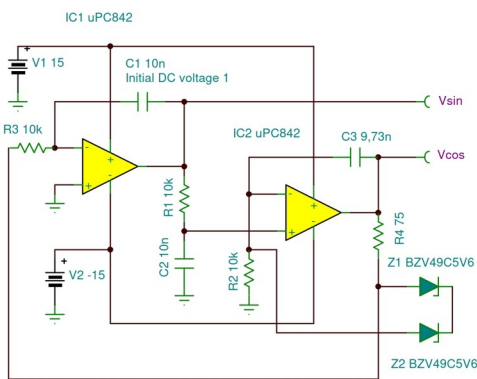
DC Characteristics



Output Short Circuit Protection



Quadrature oscillator



- 1 > Sine
- 2 > Cosine