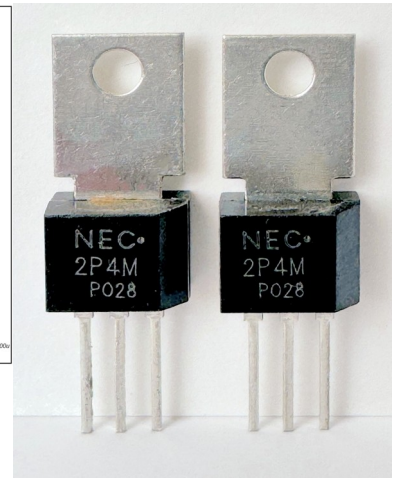
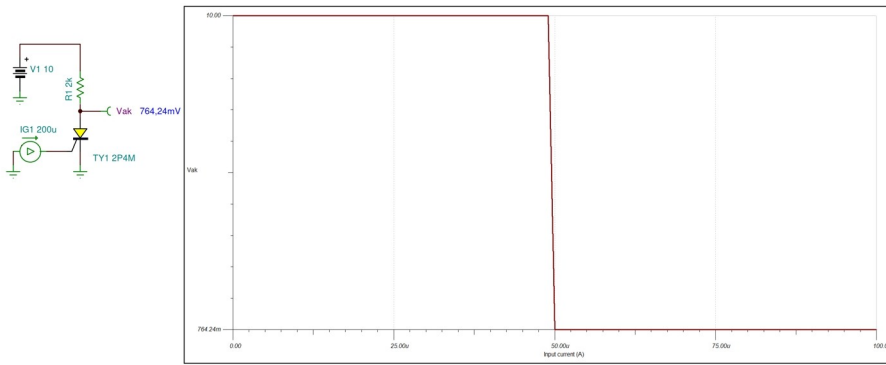
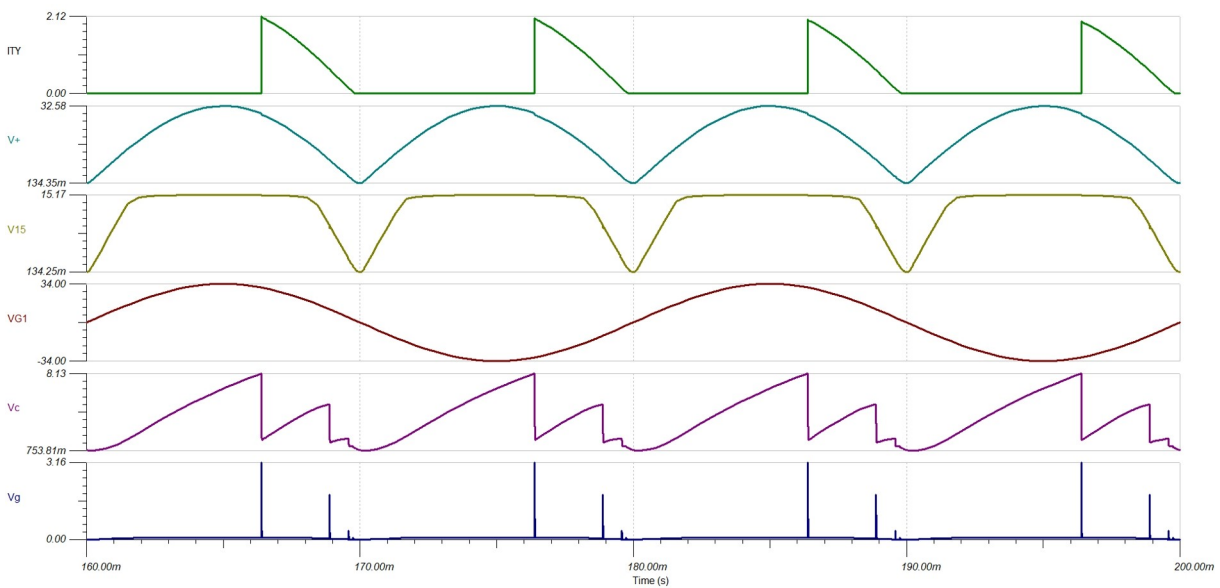
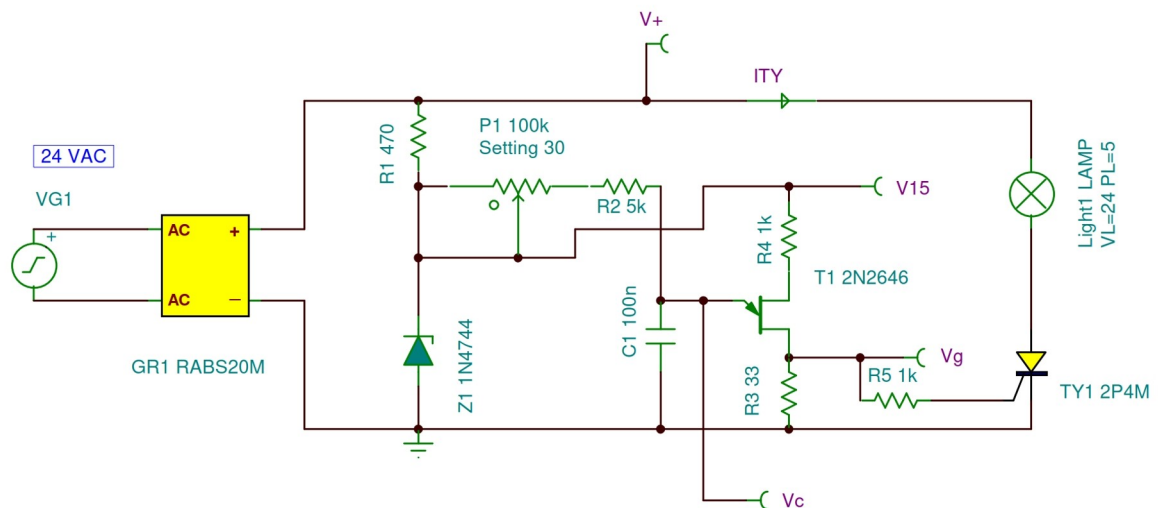


2P4M Thyristor, Silicon Controlled Rectifier Spice Model

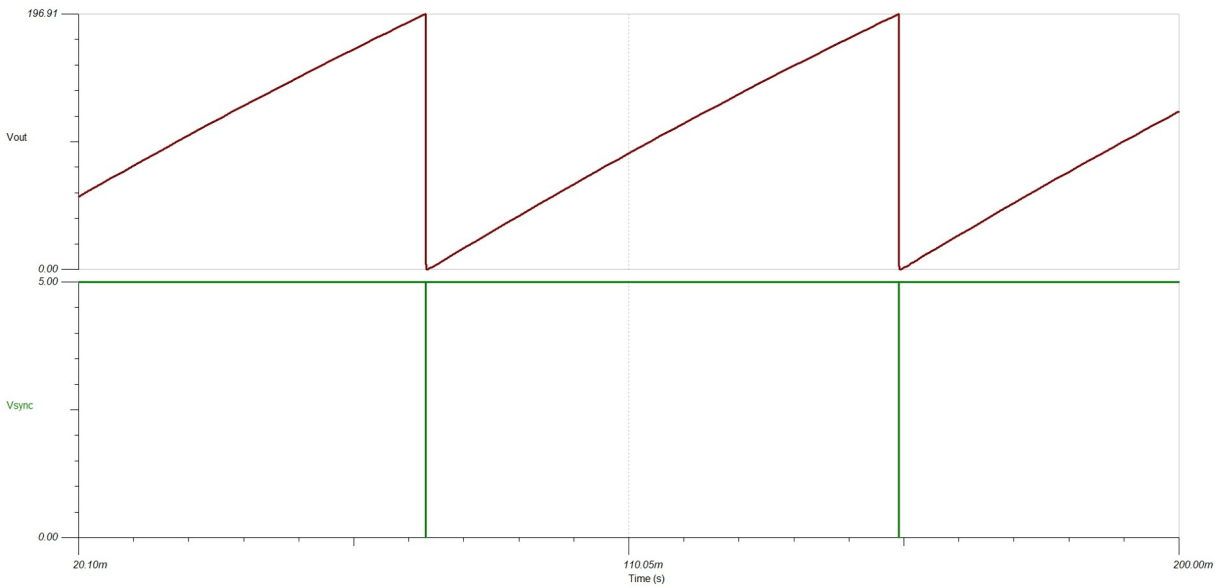
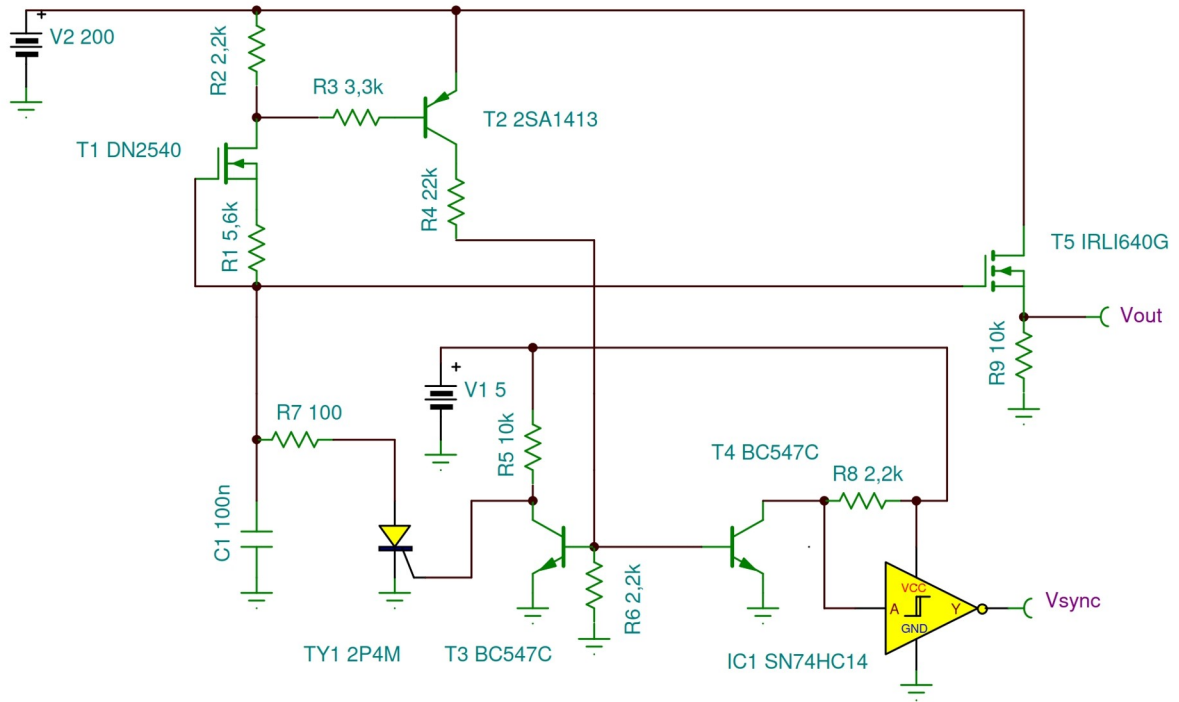
DC Transfer Characteristic



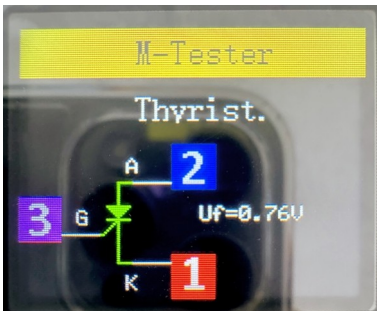
UJT Triggering of SCR



High Voltage Ramp Generator



Measured Values



U_f at low current and V_{DRM} at $200 \mu A$ ($R_{GK} = 1 k\Omega$).

Zabb Csaba