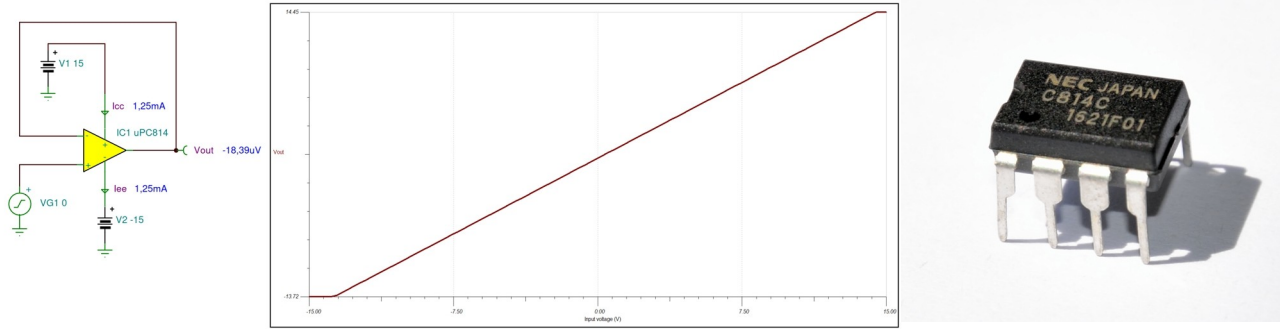
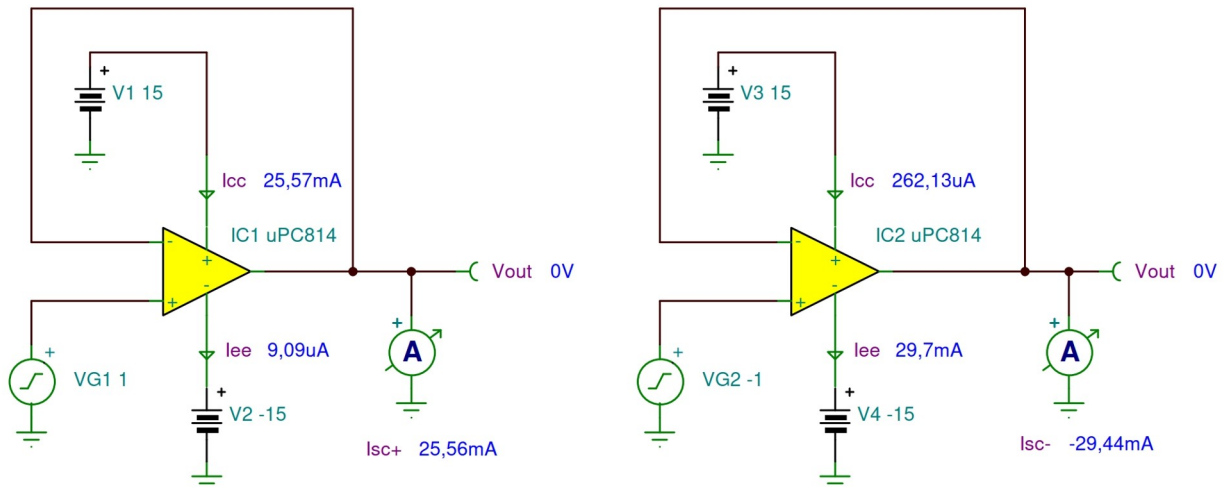


# μPC814 Low Noise J-FET Input Dual Operational Amplifier Macro Model

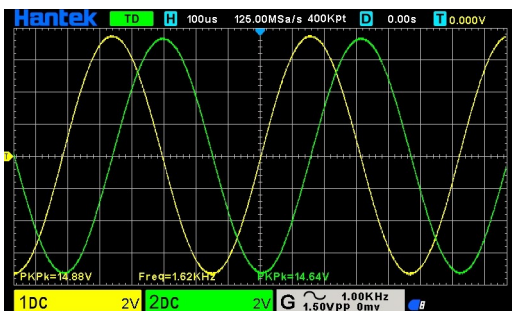
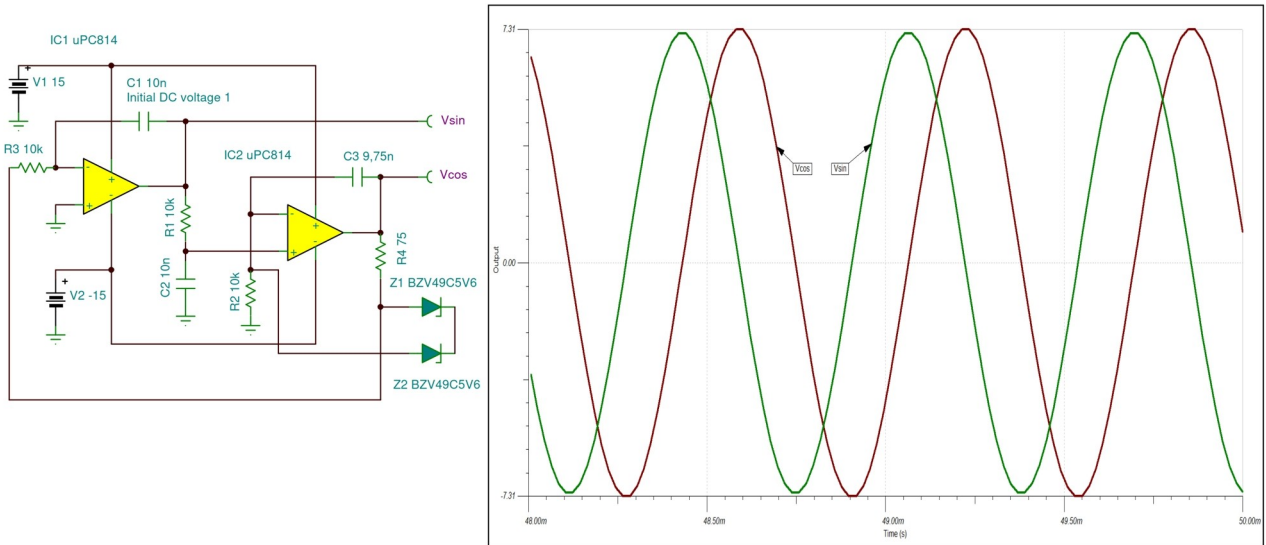
## DC Characteristics



## Output Short Circuit Protection



## Quadrature oscillator



- 1 > Sine Wave
- 2 > Cosine