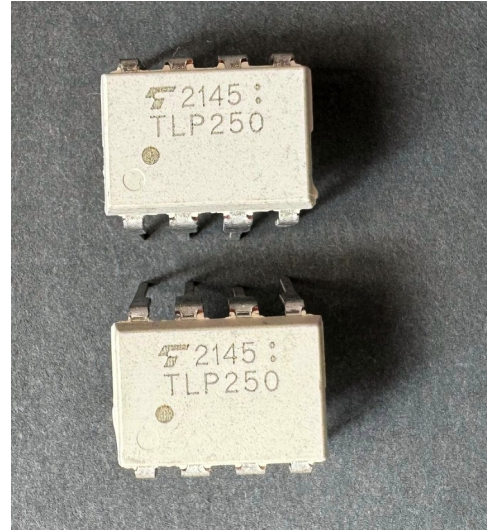
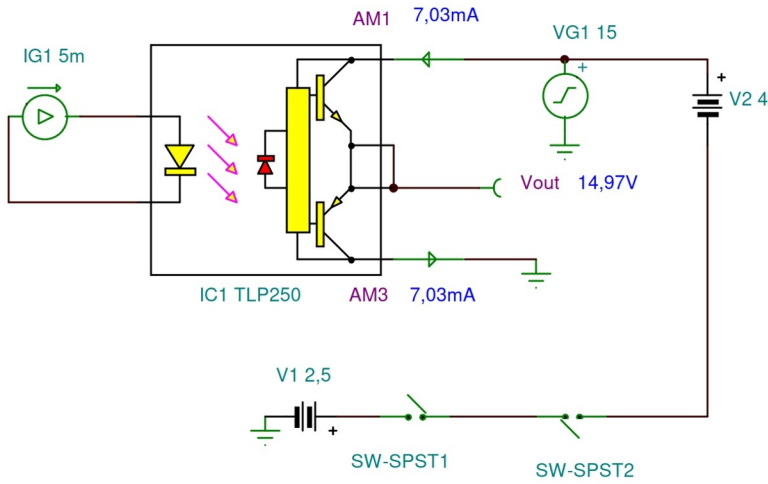
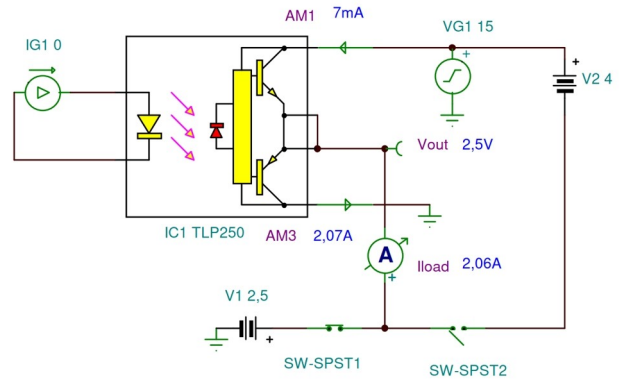
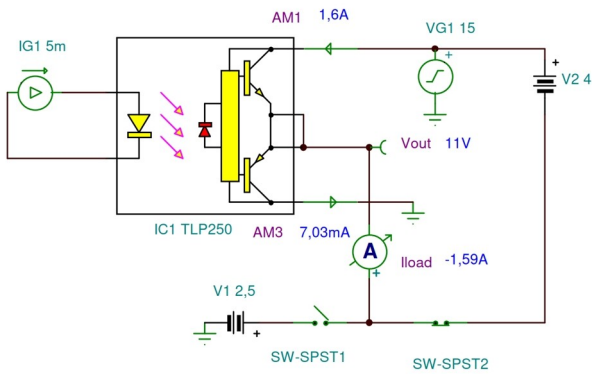


TLP250 Gate Drive Optocoupler Macro Model

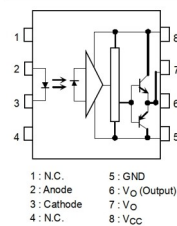
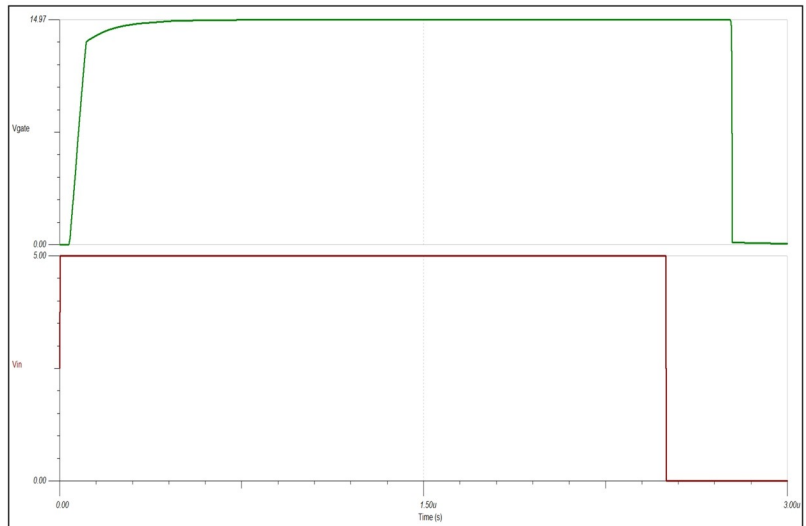
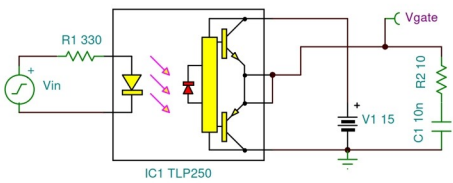
DC Characteristics



Output Current



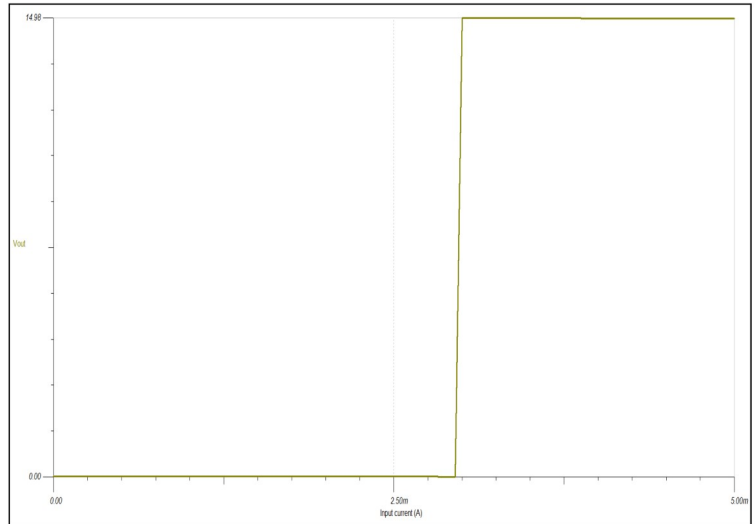
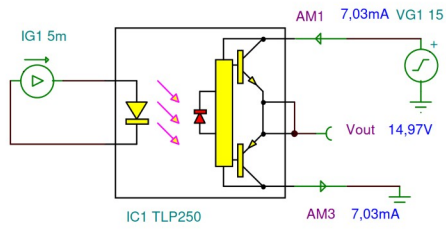
Switching Characteristics



Pin Configuration (top view)

- 1: N.C.
- 2: Anode
- 3: Cathode
- 4: N.C.
- 5: GND
- 6: V_O (Output)
- 7: V_O
- 8: V_{CC}

Threshold Input Current



UVLO Output Characteristics

