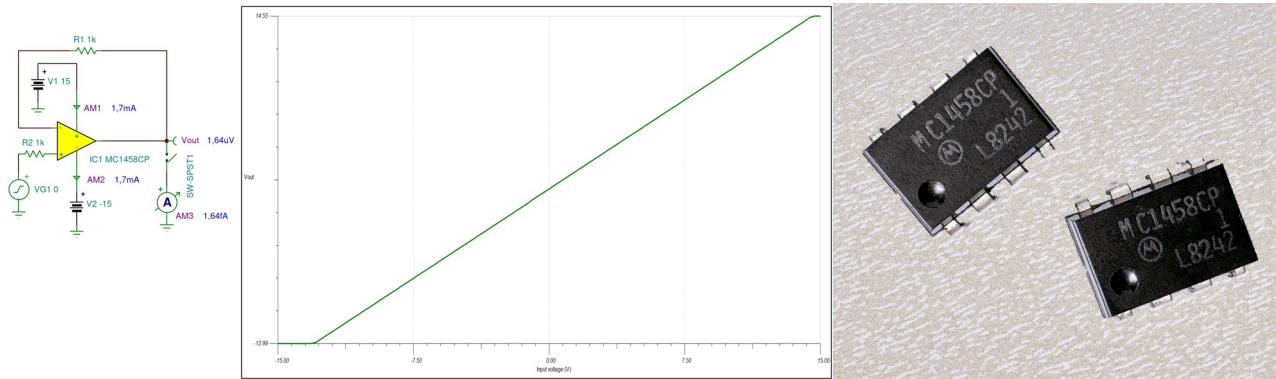
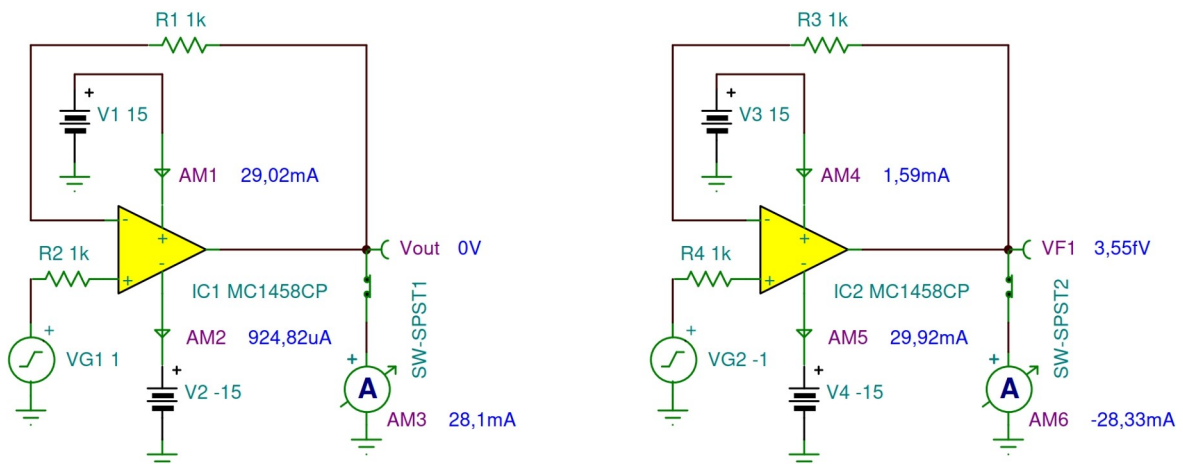


MC1458 Operational Amplifiers Macro Model

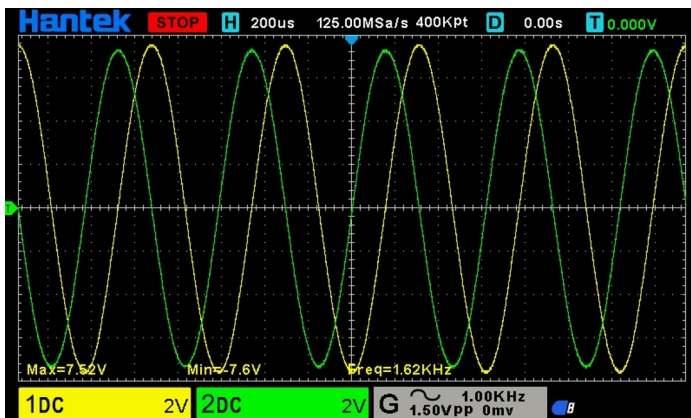
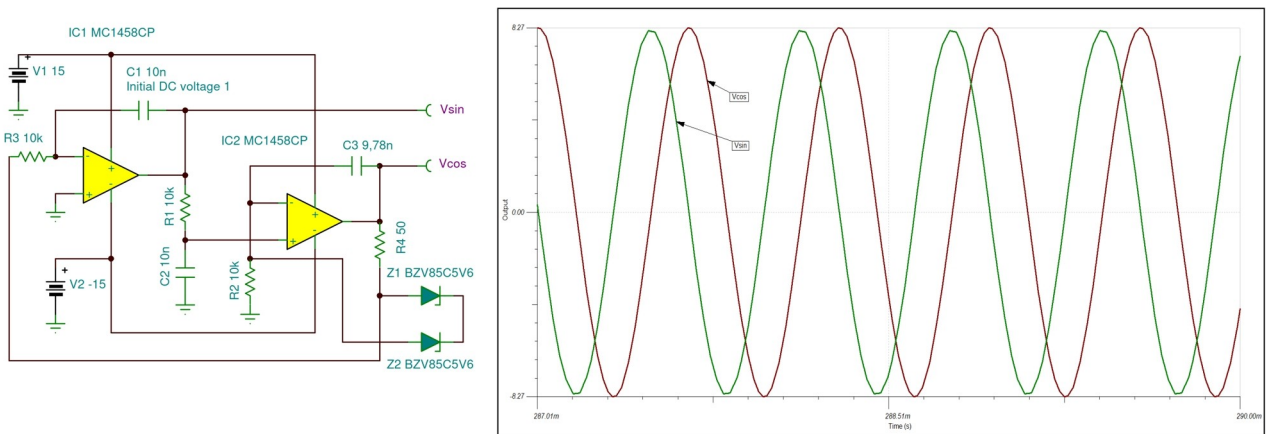
DC Characteristics:



Output Current:



Quadrature oscillator:



Oscillation occurs at $\omega = 2\pi f = 1/RC$. The test circuit oscillated at 1.62 kHz rather than the calculated 1.59 kHz, and the discrepancy is attributed to component variations. C3 is set to 10 nF. It was only changed for stable oscillation in the simulation.