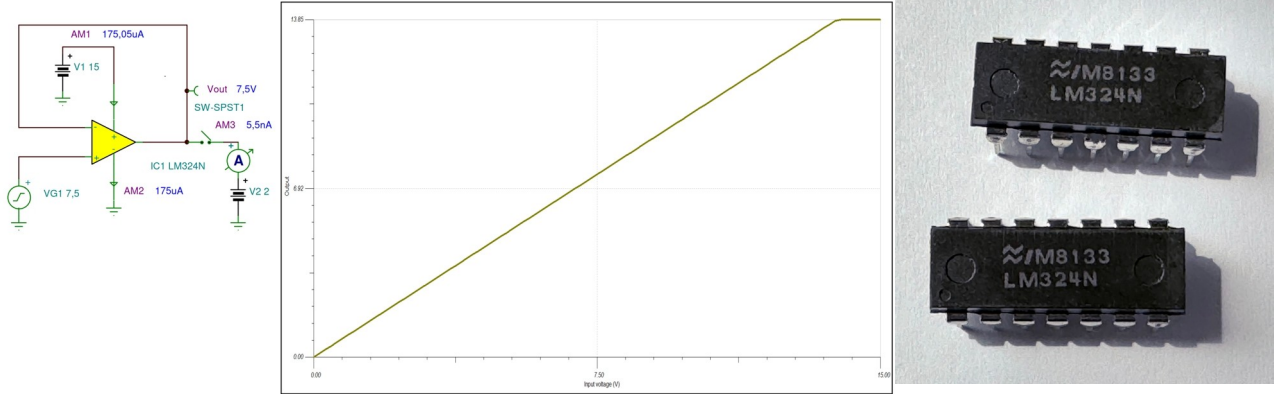
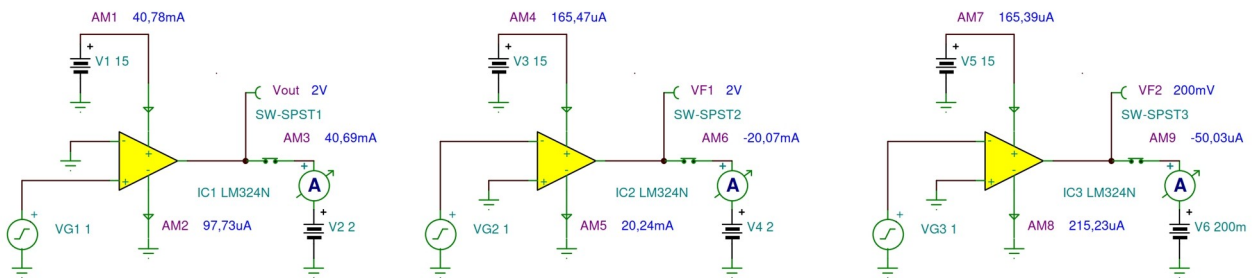


# LM324N Low Power Operational Amplifiers Macro Model

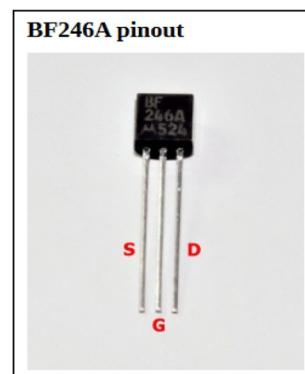
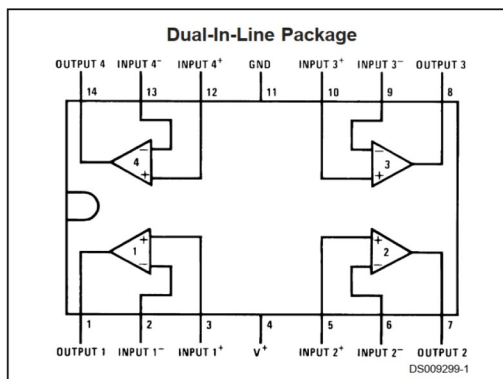
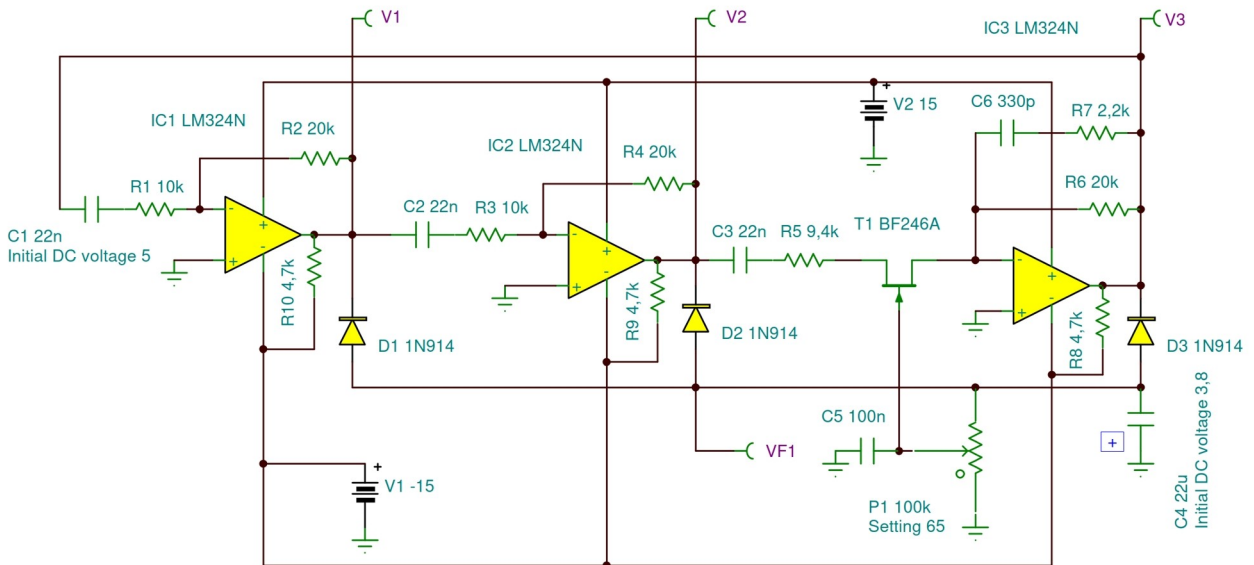
## DC Characteristics



## Output Current



## 3-Phase Signal Generator



For ac applications, where the load is capacitively coupled to the output of the amplifier, a resistor should be used, from the output of the amplifier to ground (V-) to increase the class A bias current and prevent crossover distortion (R8, R9, R10).

