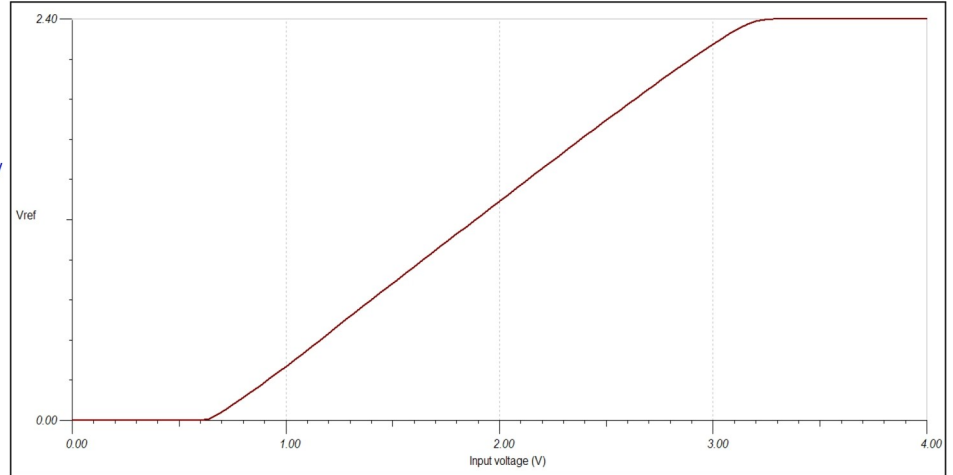
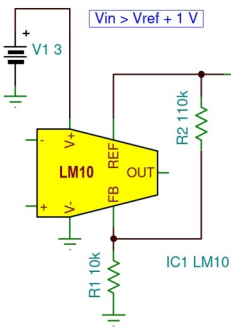
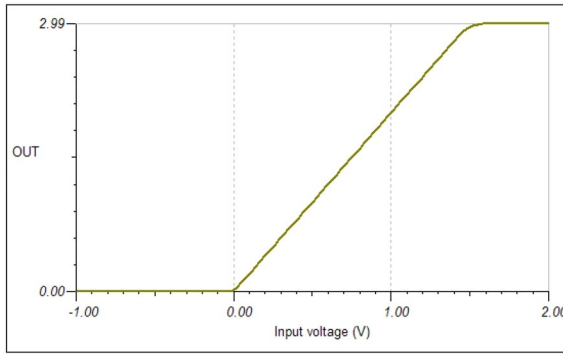
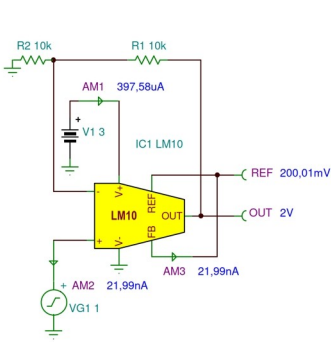
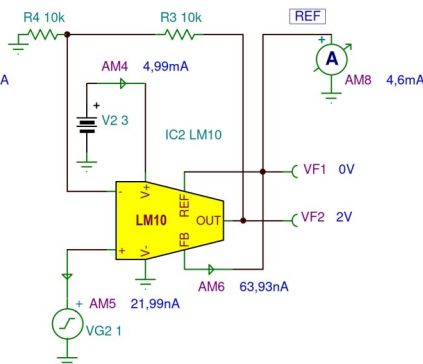
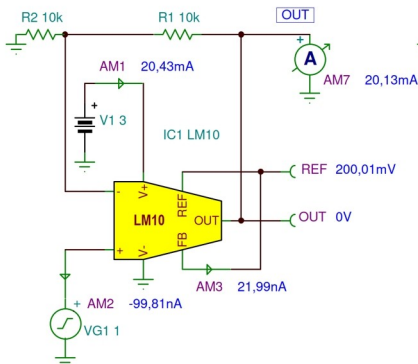
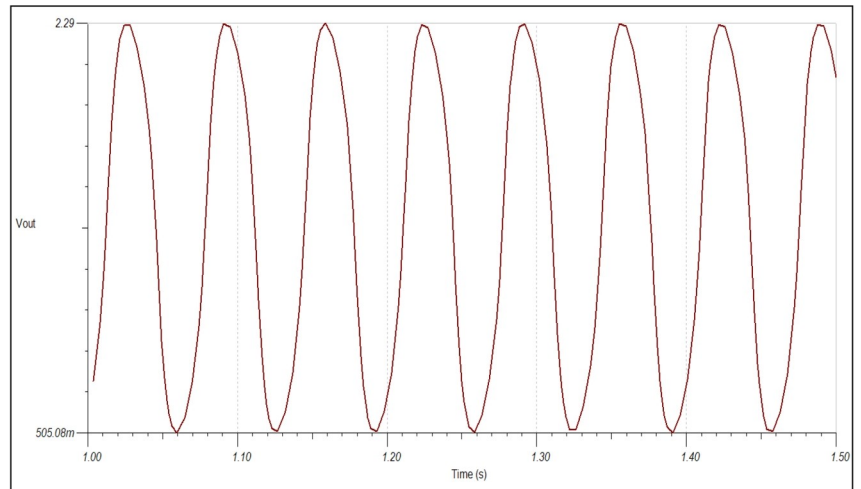
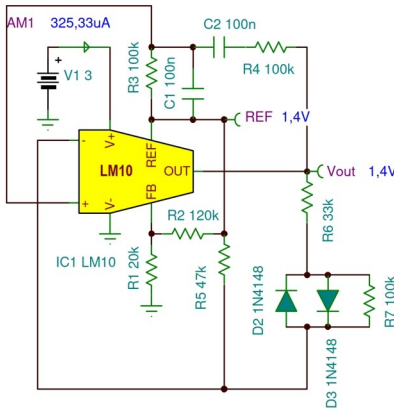


LM10 Operational Amplifier and Voltage Reference Macro Model

DC Characteristics



Micro Power Wien Bridge oscillator



The input common-mode voltage range of the LM10 extends from the negative rail to 0.85 V less than the positive rail.

The regulator is protected from shorts or overloads by current limiting and thermal shutdown.