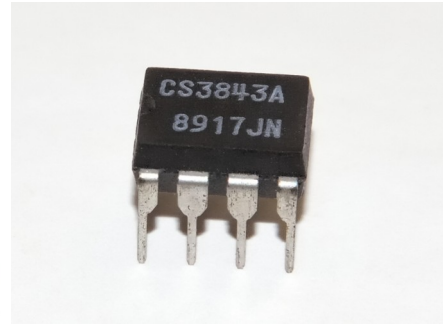
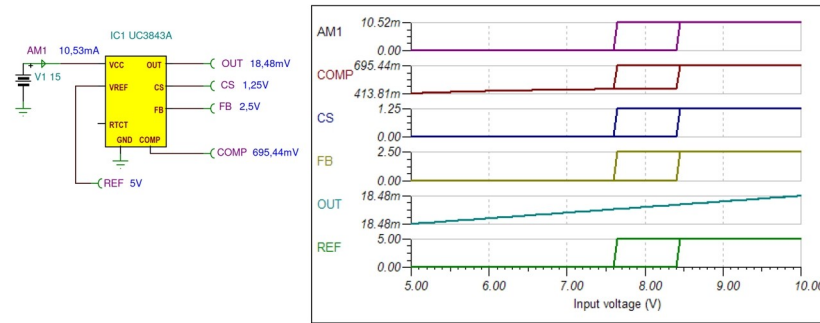
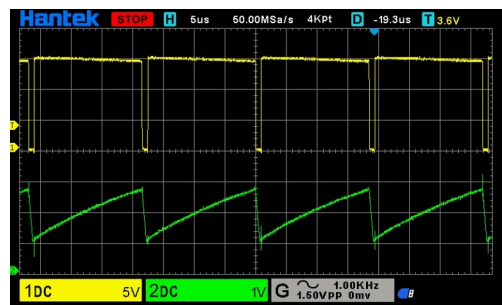
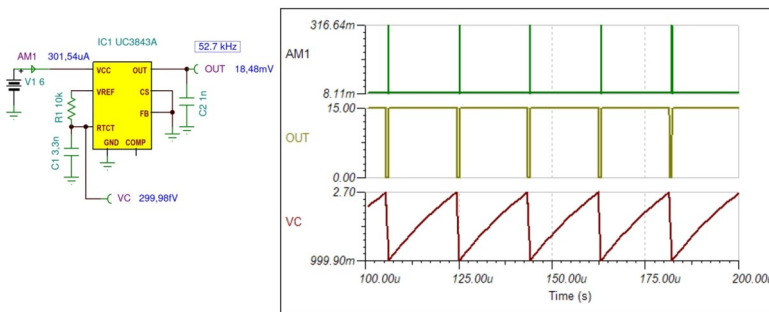


# UC3843A Current-Mode PWM Controller Macro Model

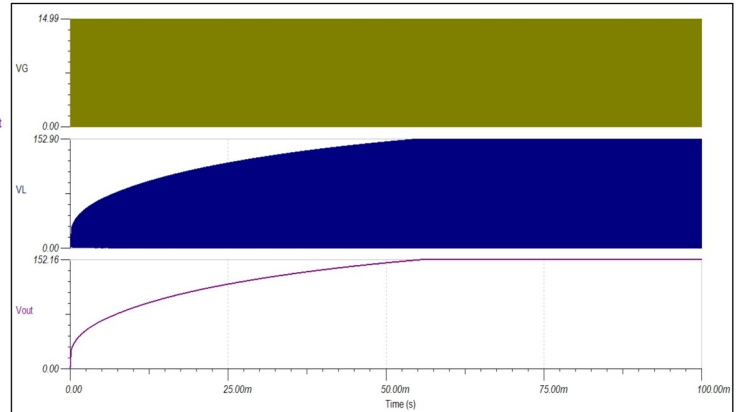
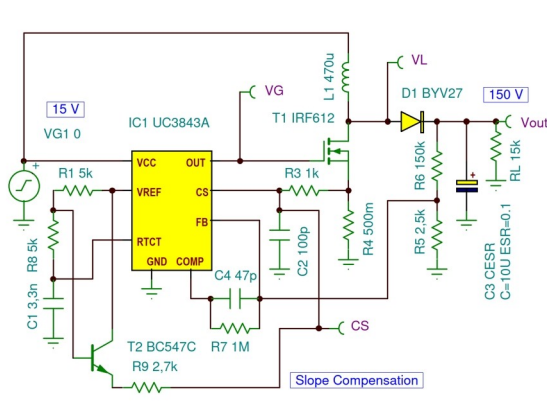
## DC Characteristics



## Test Circuit



## Step-Up Converter 150 V



With current mode control, slope compensation is required to stabilize the overall loop with duty cycles exceeding 50%.

