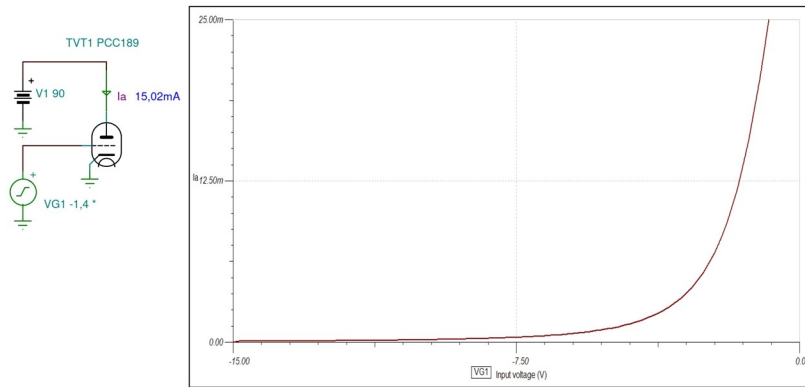


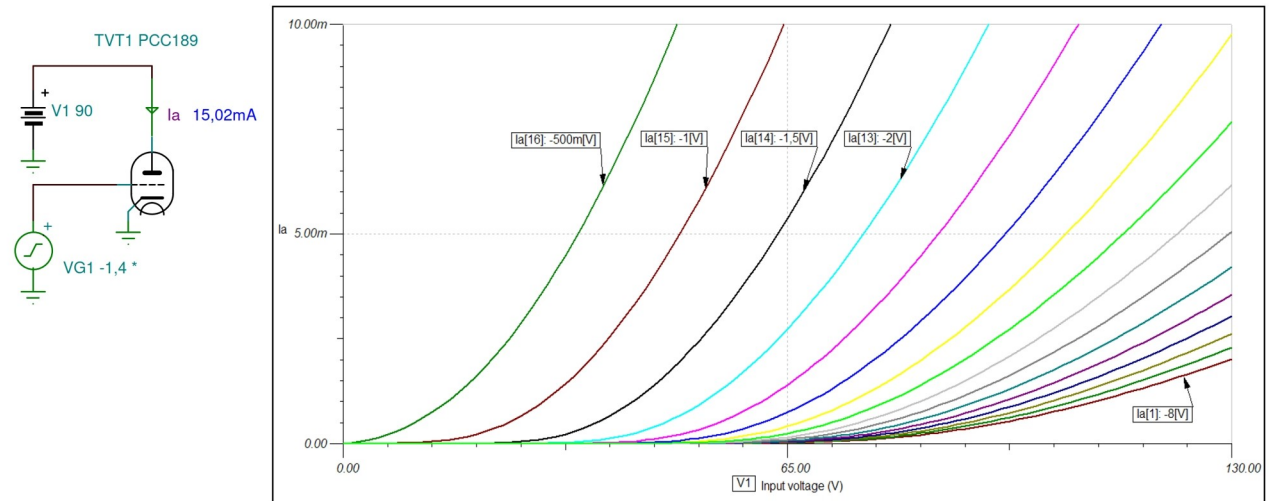
PCC189 Variable Conductance, Double Triode Macro Model

DC Characteristics

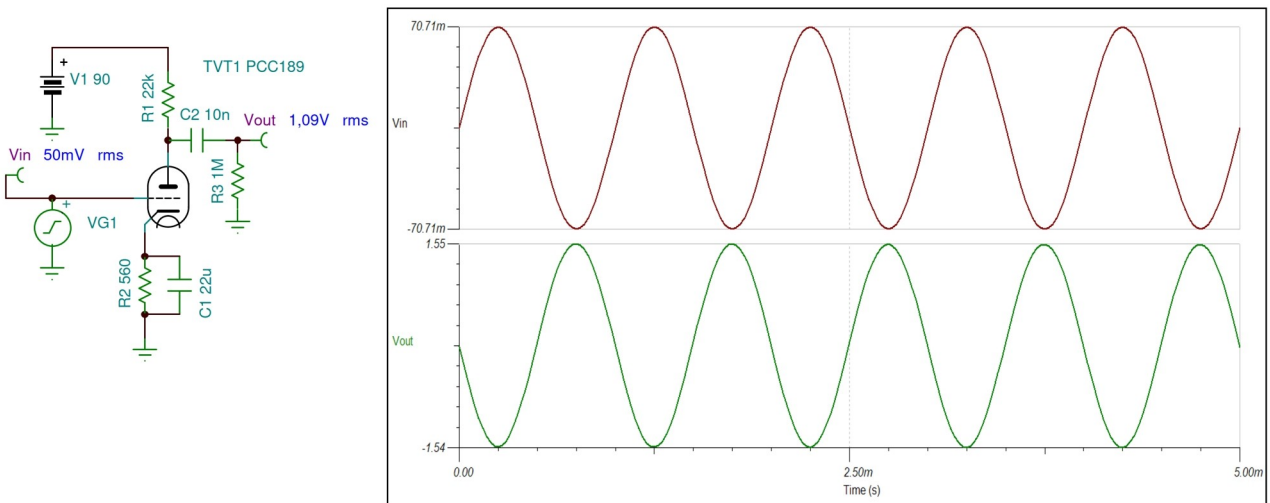


This model is valid for the following tubes (within max. ratings): ECC189, 6ES8, 7ES8.

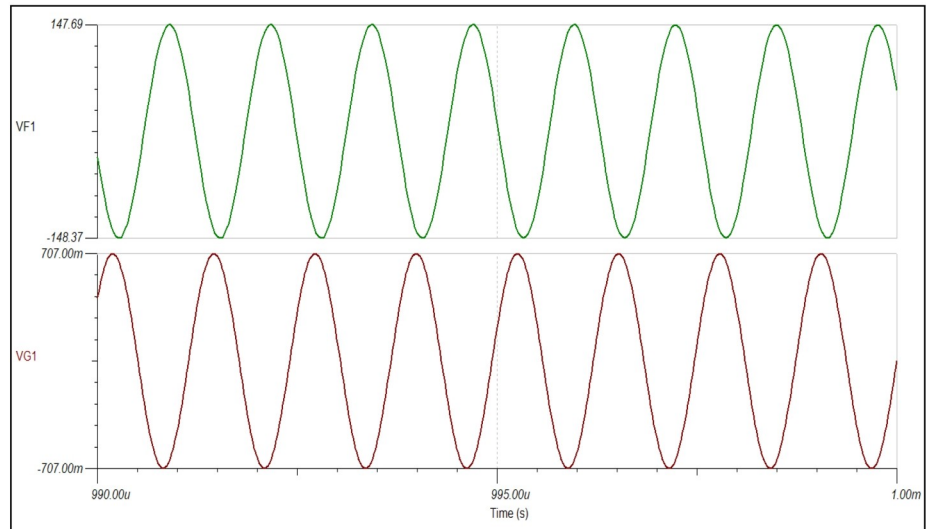
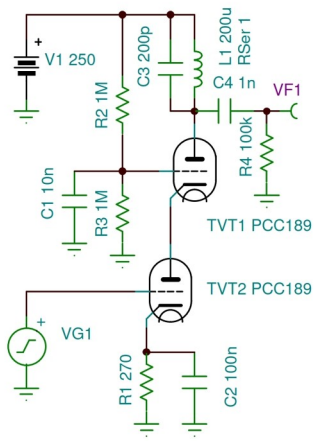
Output Characteristics



Low Level, Low Noise Audio Amplifier



Cascode (series connected) HF Amplifier



Grid Splash Current

