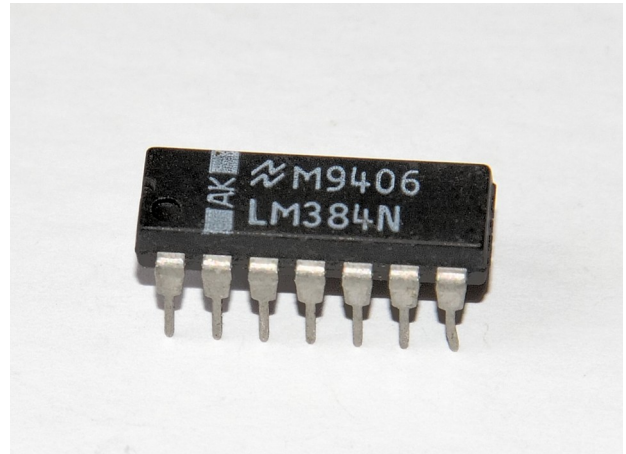
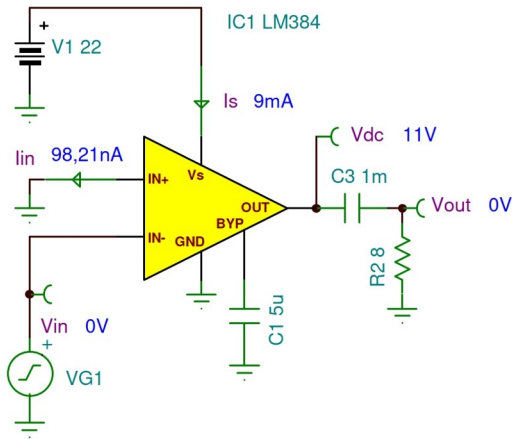
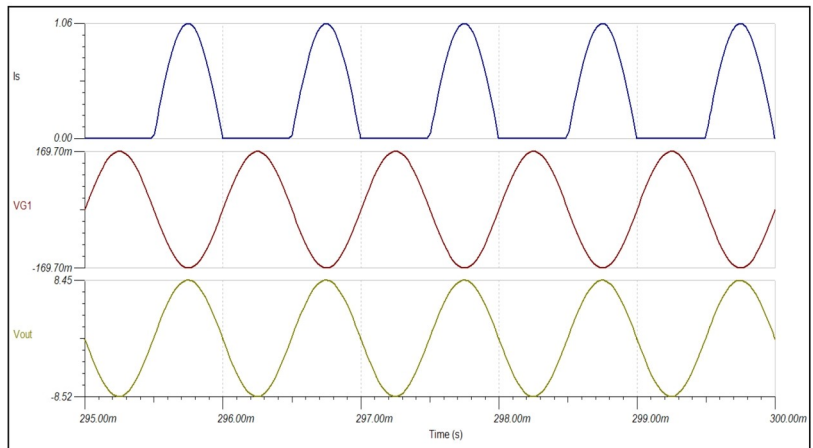
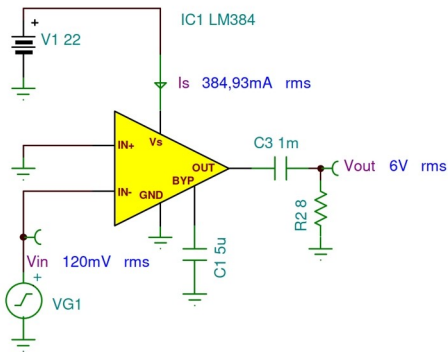


LM384 Audio Power Amplifier Macro Model

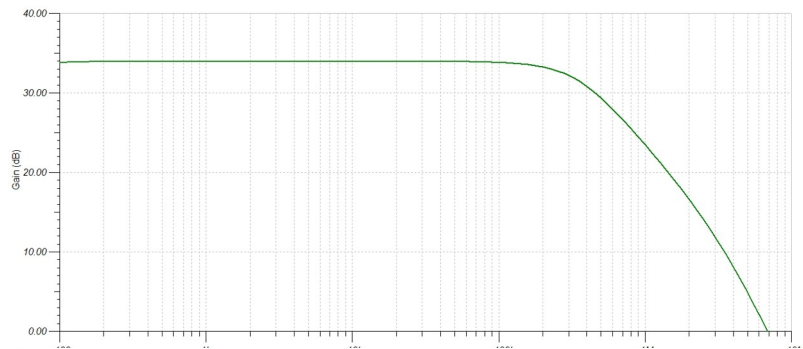
DC Characteristics



Audio Amplifier



Output Voltage Gain vs Frequency (RL=8 Ω)



Power Supply Current vs Supply Voltage

