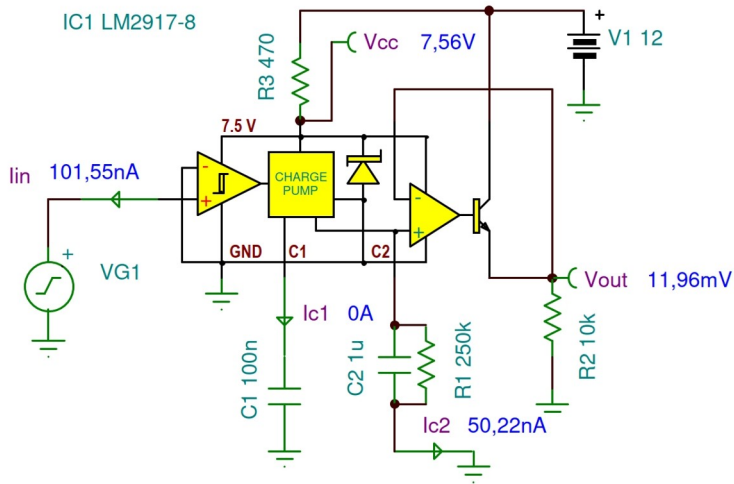
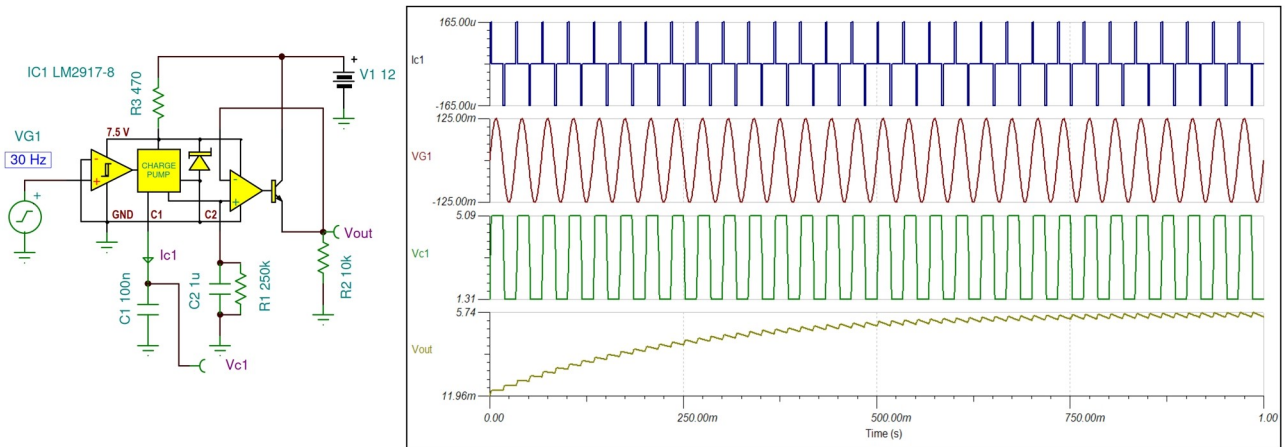


# LM2917-8 Frequency to Voltage Converter Macro Model

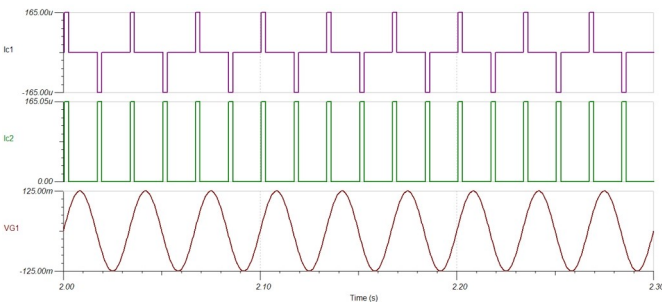
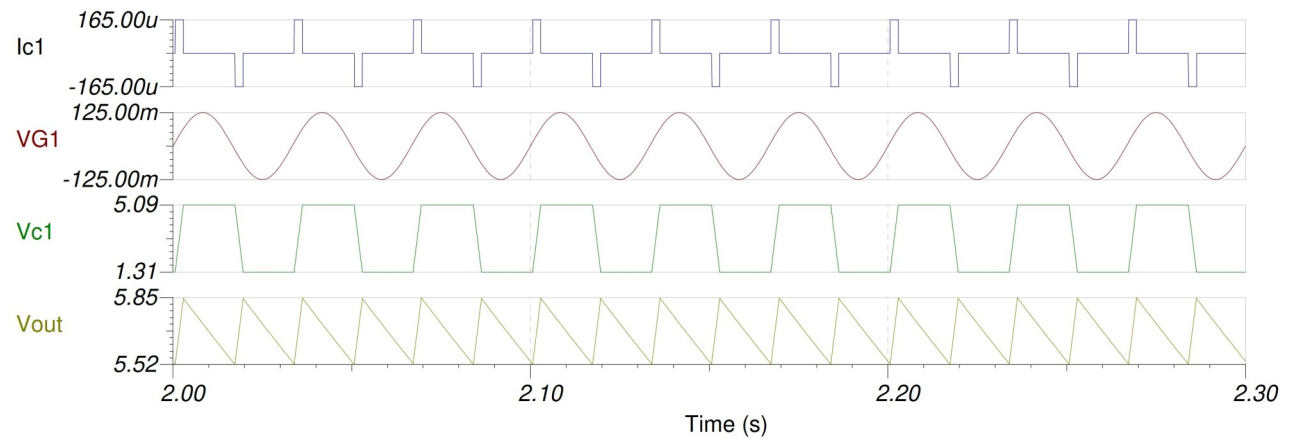
## DC Characteristics



## 30 Hz AC Characteristics



## Output Ripple Voltage



Tachometer Currents Ic1 and Ic2