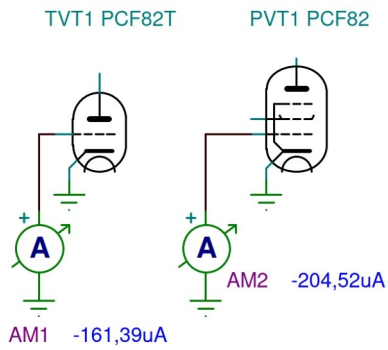
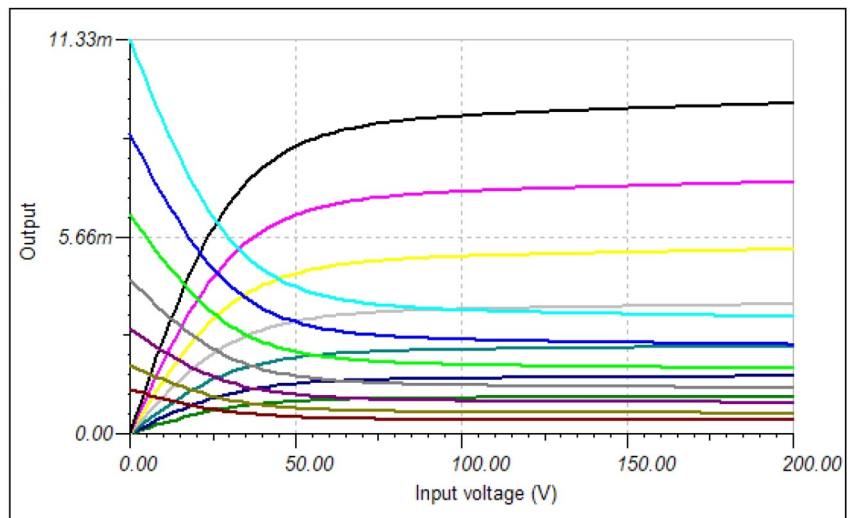
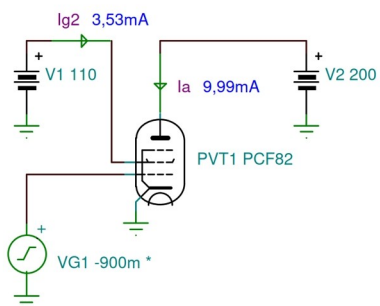
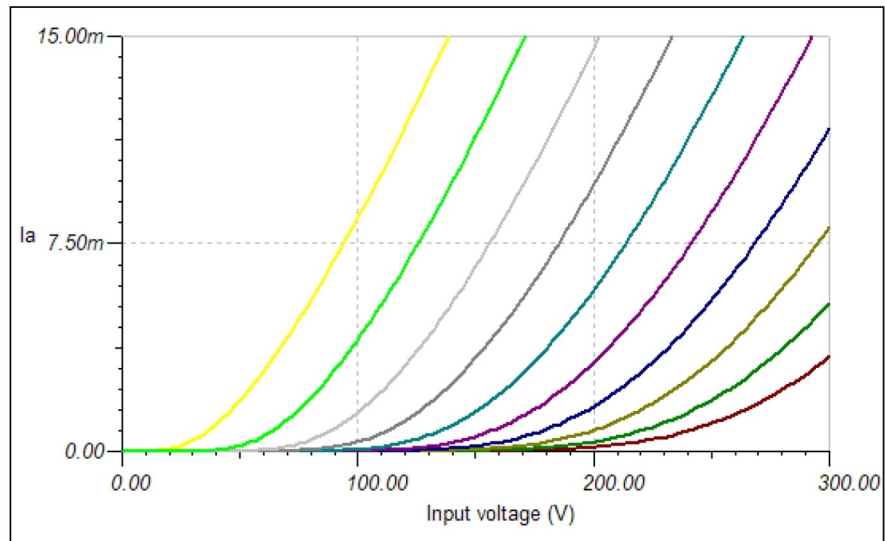
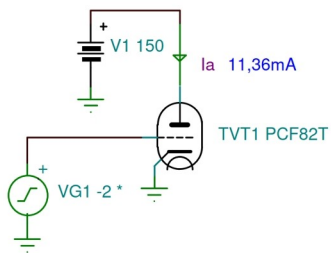


PCF82 Triode Pentode Macro Model

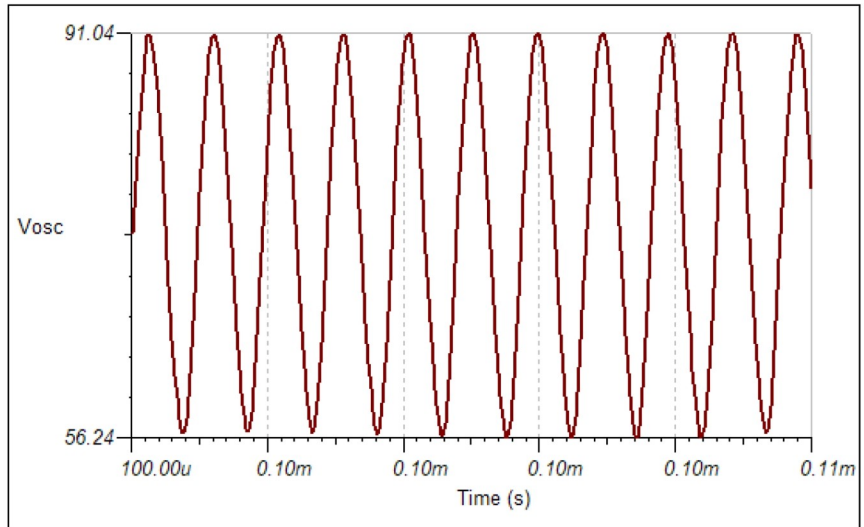
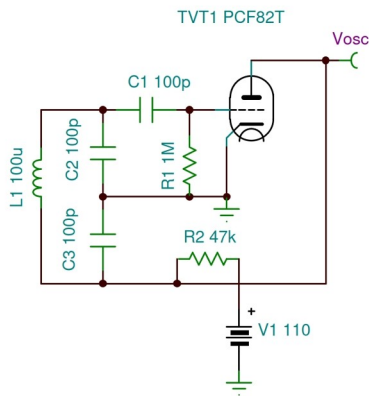
Gate Diode Splash Currents



DC Characteristics



Triode Colpitts Oscillator



AM Circuit

