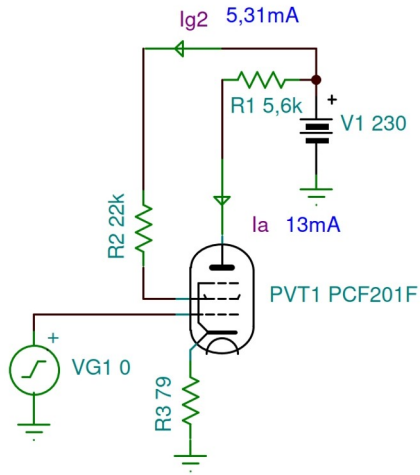
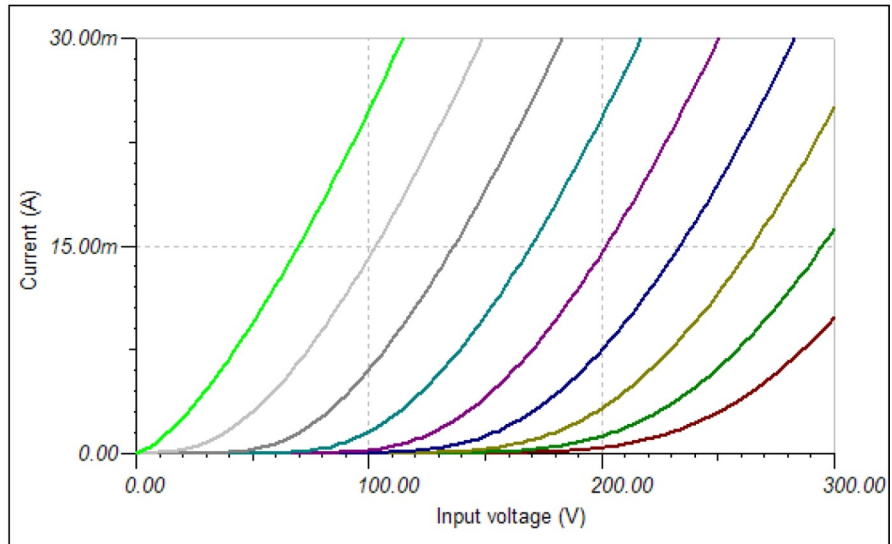
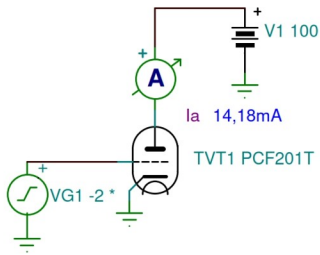


# PCF201 Triode Pentode Macro Model

## Pentode section as video I.F. amplifier



## DC Characteristics



Ug1 = 0 to -16 V

