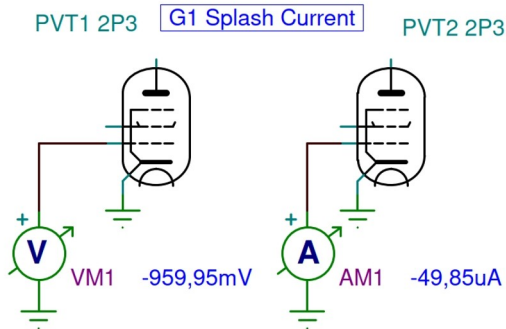


2P3 /China/ Miniature Power Pentode Macro Model

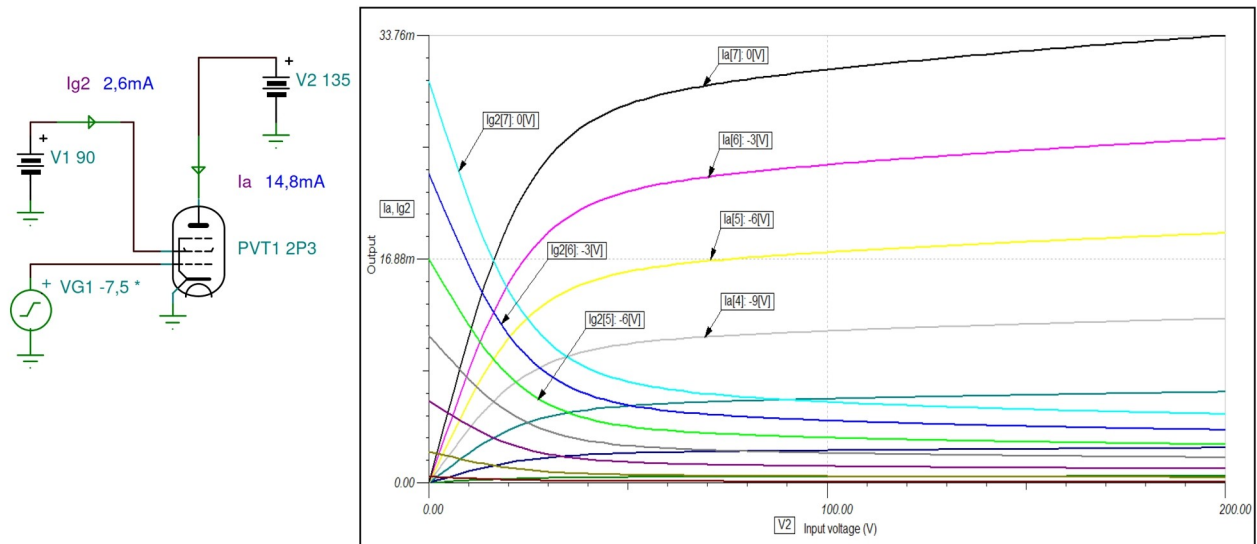
DC Characteristics



This model is valid for the following tubes (within max. ratings): DL93, 3A4.
 The cathode symbol is the negative end of the filament (pin 5, parallel filament 1.4 V).



Output Characteristics



Audio Power Amplifier

