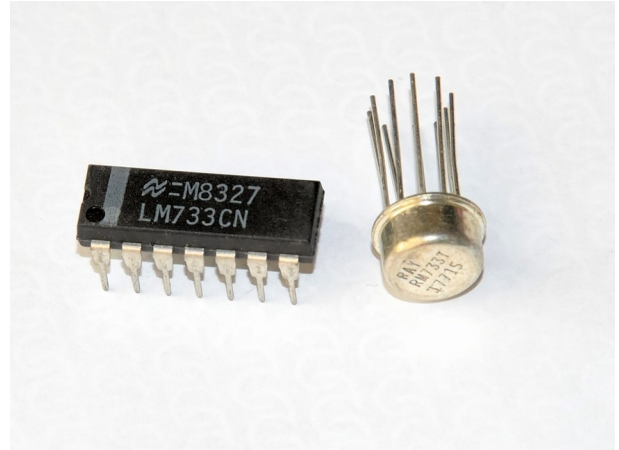
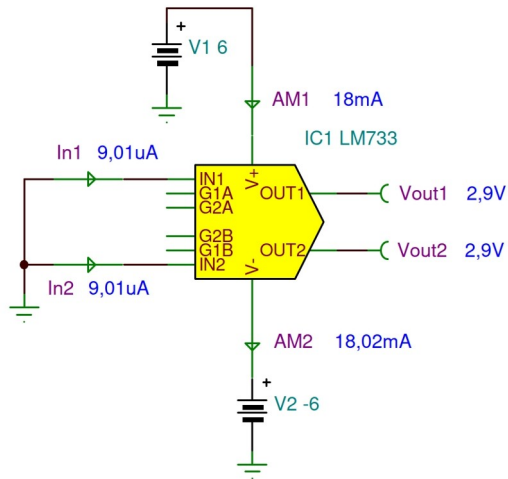


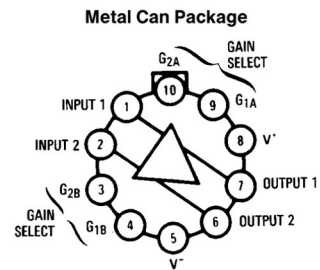
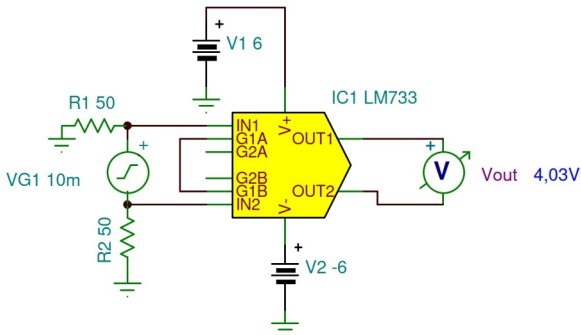
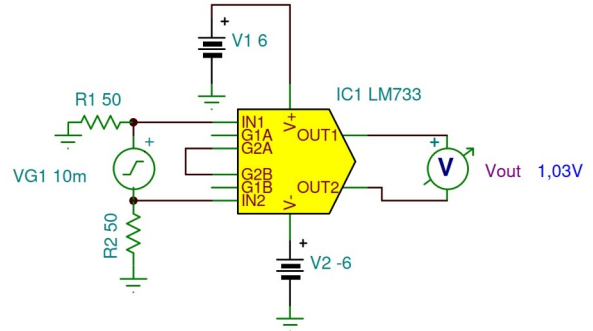
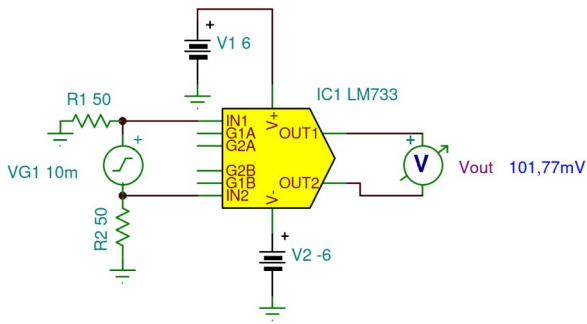
# LM733 / $\mu$ A733 Differential Amplifier Macro Model

## Electrical Characteristics

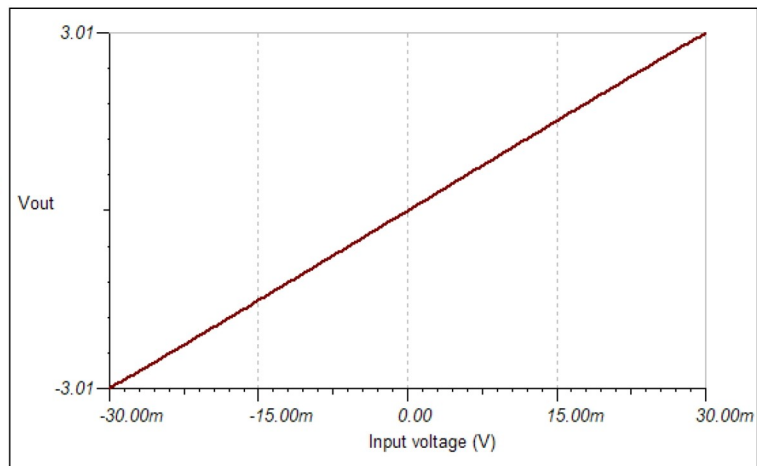
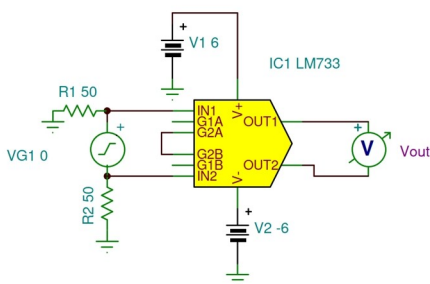


## Differential Voltage Gain

(Selectable gains of 10, 100, 400)



## DC Transfer Characteristics



# AC Transfer Characteristics

