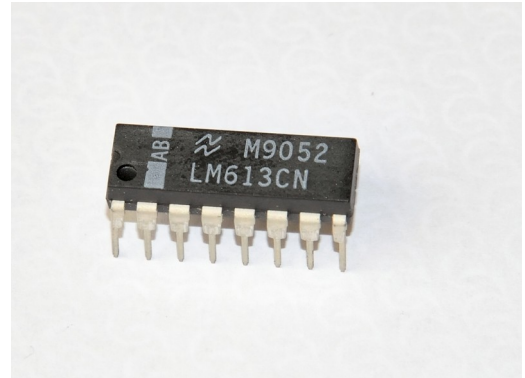
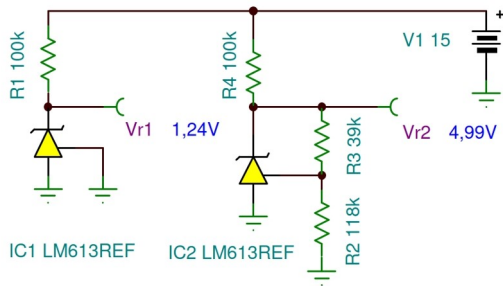
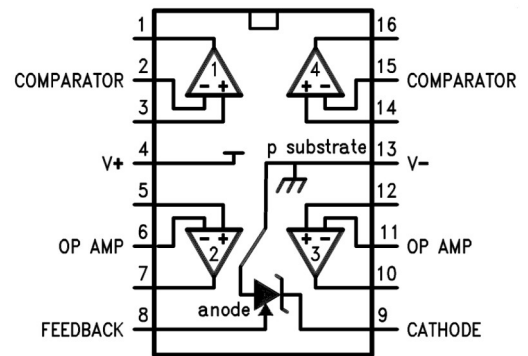
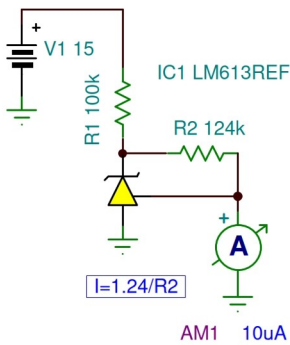


LM613 Dual Operational Amplifiers, Dual Comparators, and Adjustable Reference Macro Model

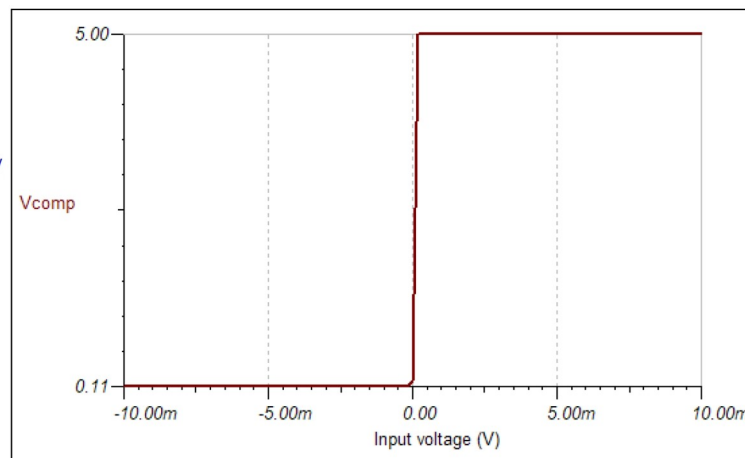
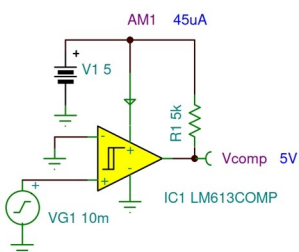
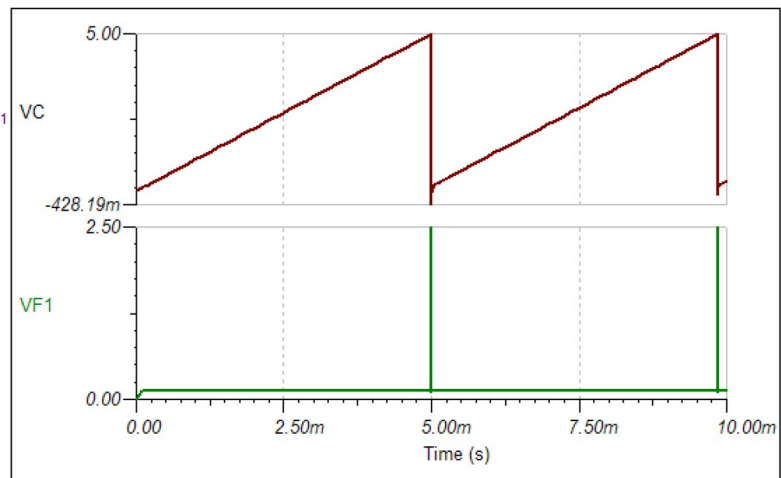
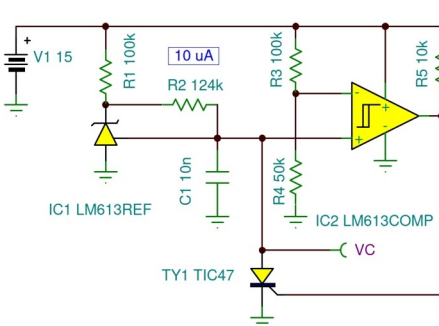
Adjustable Reference



Current Source is Programmed by R2

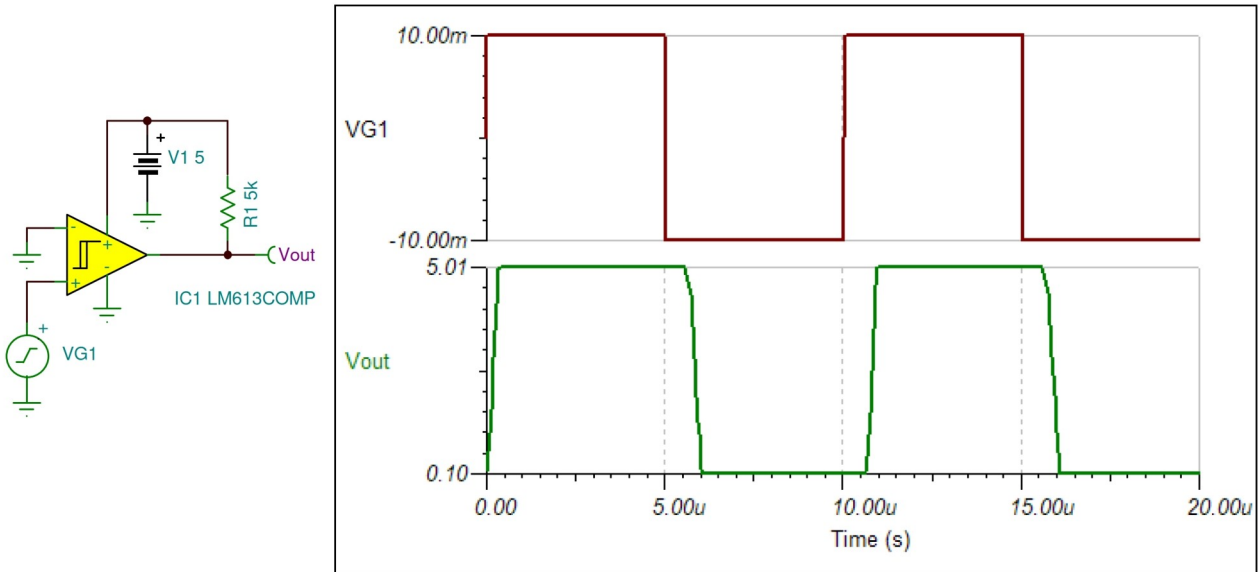


Linear Ramp Generator

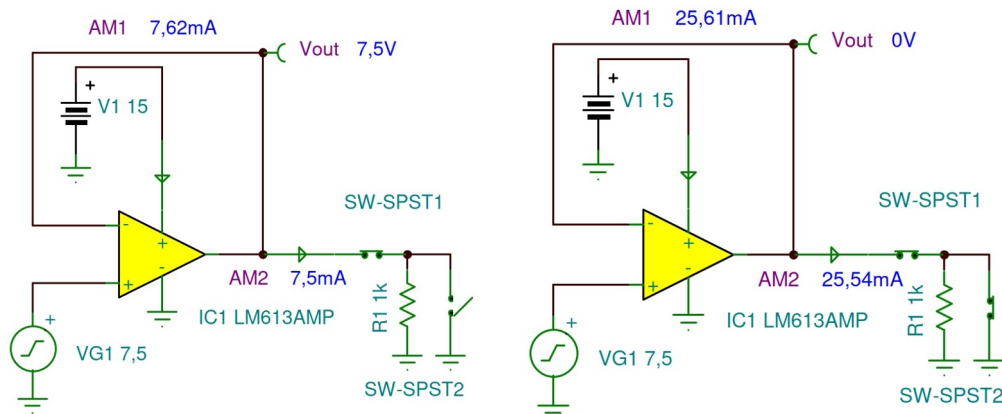


Comparator DC Transfer Characteristics

Comparator Transient Characteristics



Operational Amplifier DC Characteristics



Operational Amplifier AC Characteristics

