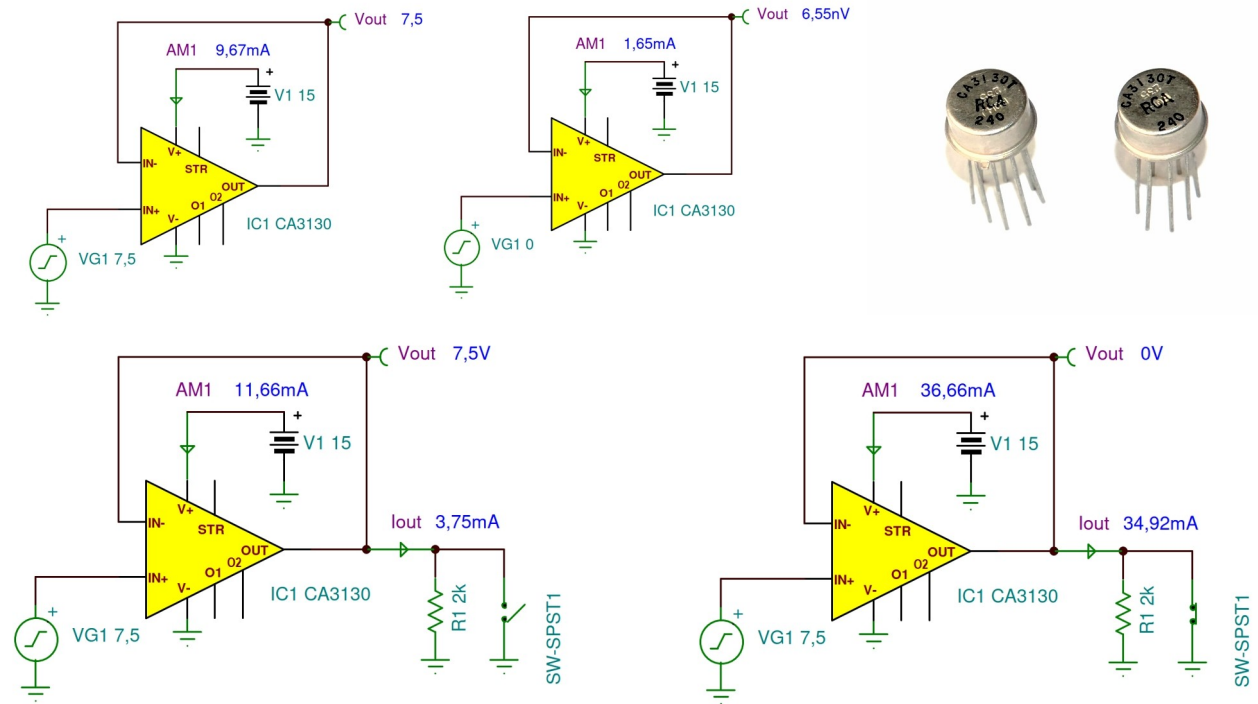
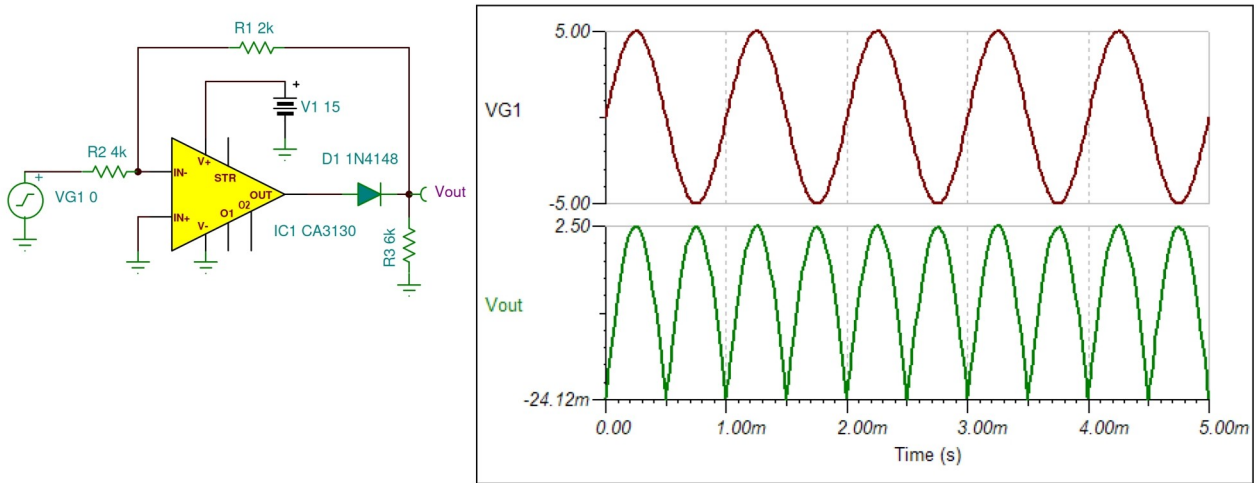


CA3130 15MHz, BiMOS Operational Amplifier Macro Model

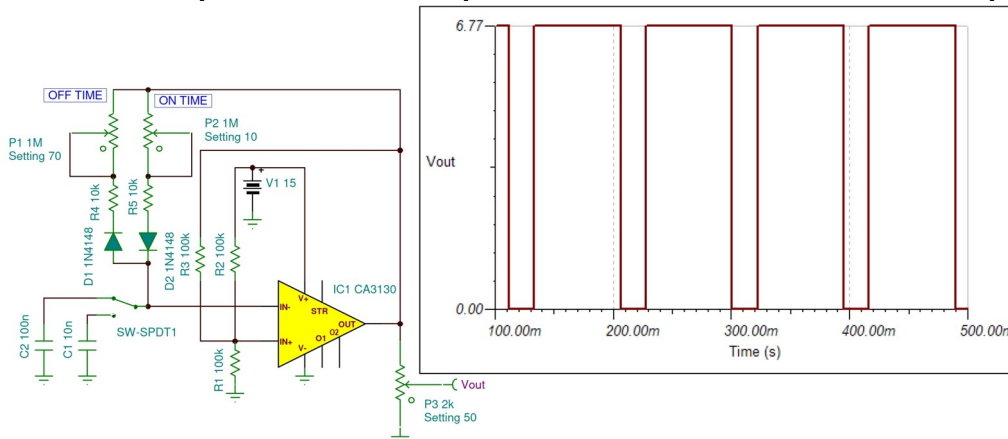
Single-supply Operation:



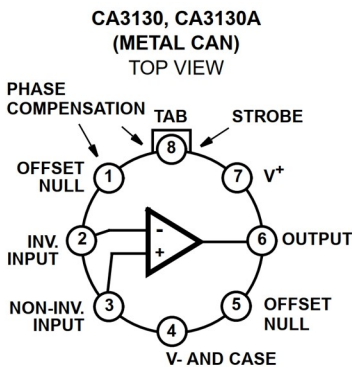
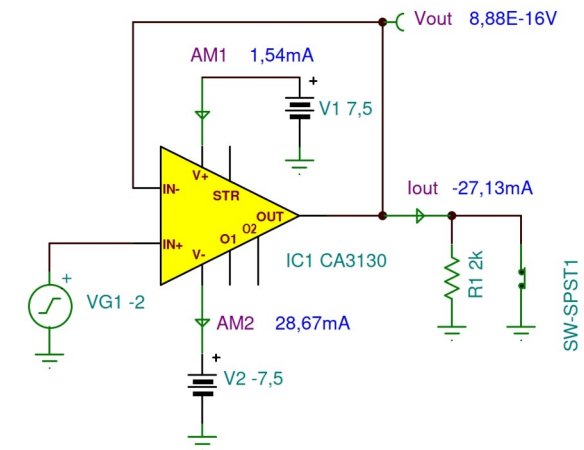
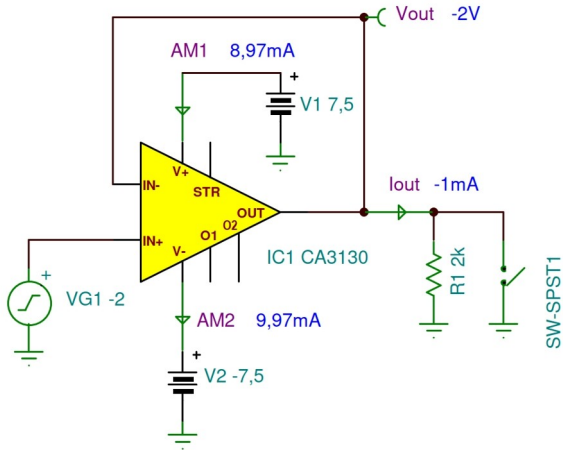
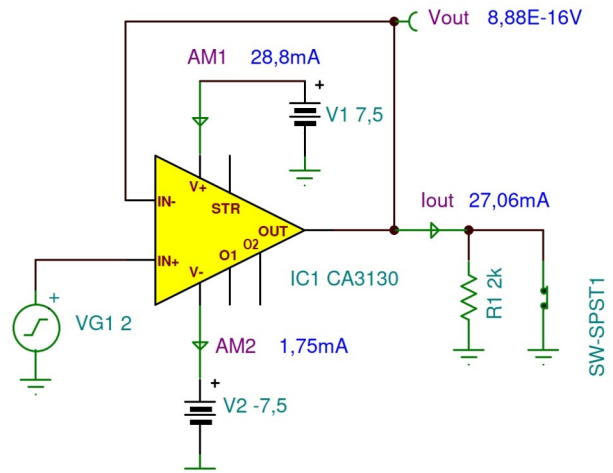
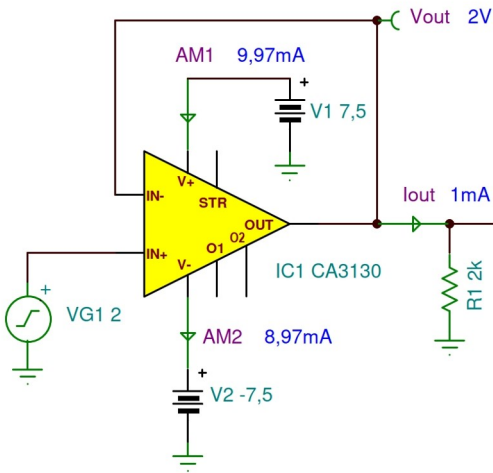
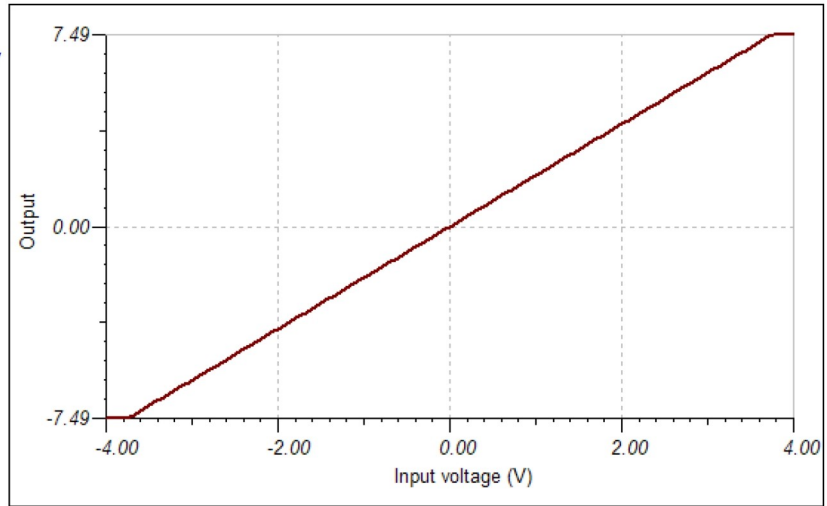
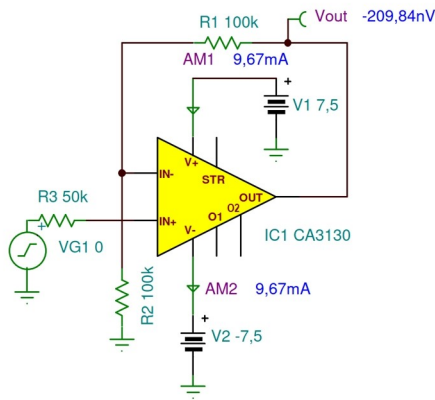
Single-Supply, Absolute-Value, Ideal Full-Wave Rectifier



A pulse generator, with provisions for independent control of the “on” and “off” periods



Dual Supply Characteristics



The output stage consists of a drain-loaded inverting amplifier using CMOS transistors operating in the Class A mode. When operating into very high resistance loads, the output can be swung within millivolts of either supply rail. The input terminals may be operated down to 0.5V below the negative supply rail.

Zabb Csaba