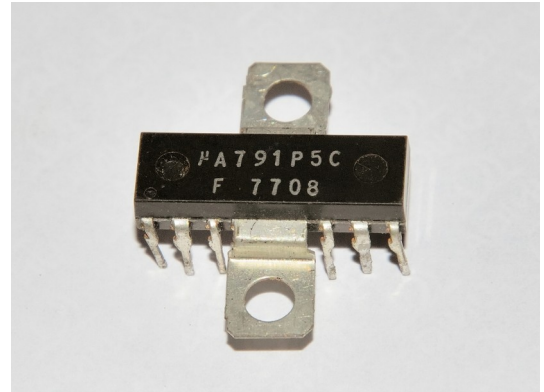
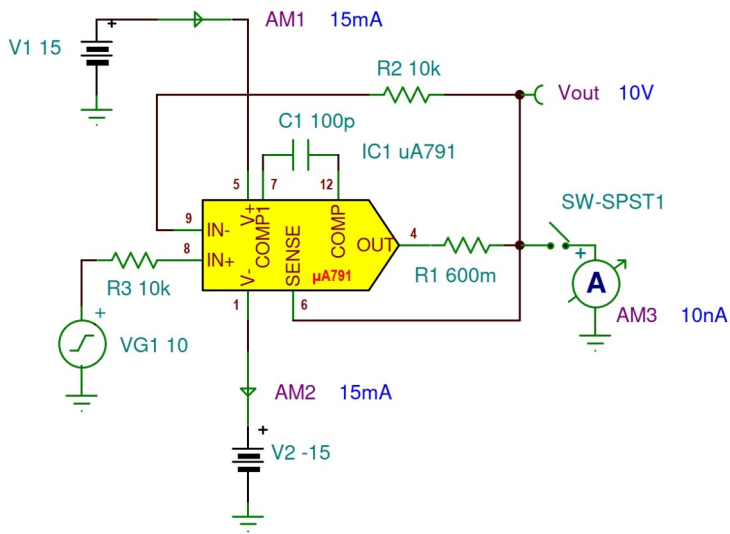
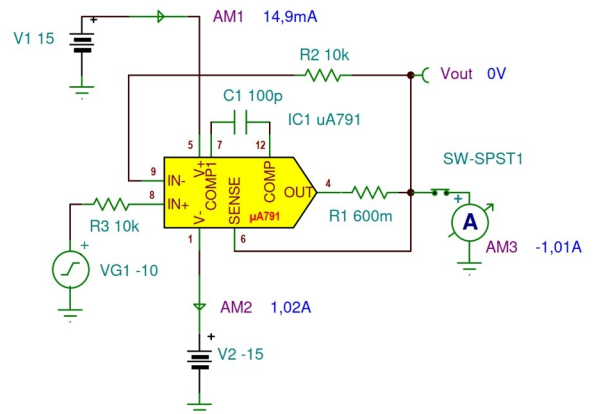
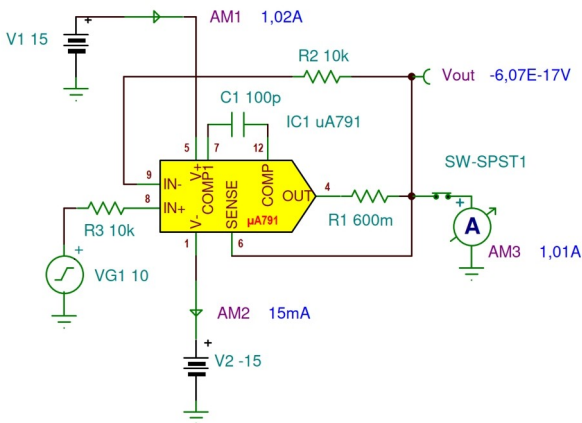


μA791 Power Operational Amplifier Macro Model

DC Characteristics



The heat sink wings on the P-package are internally connected to V-.



AC Characteristics

