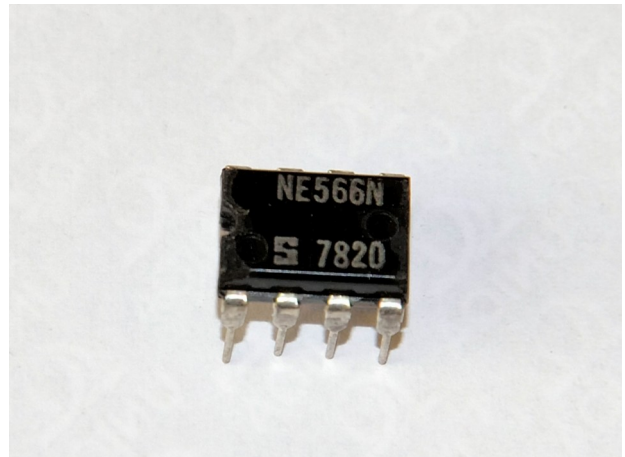
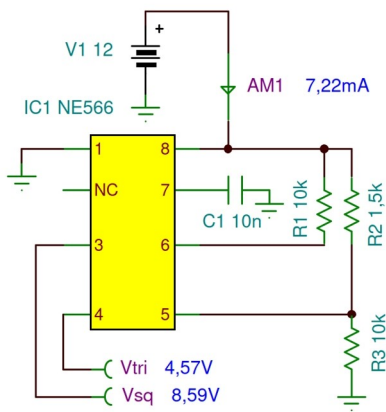
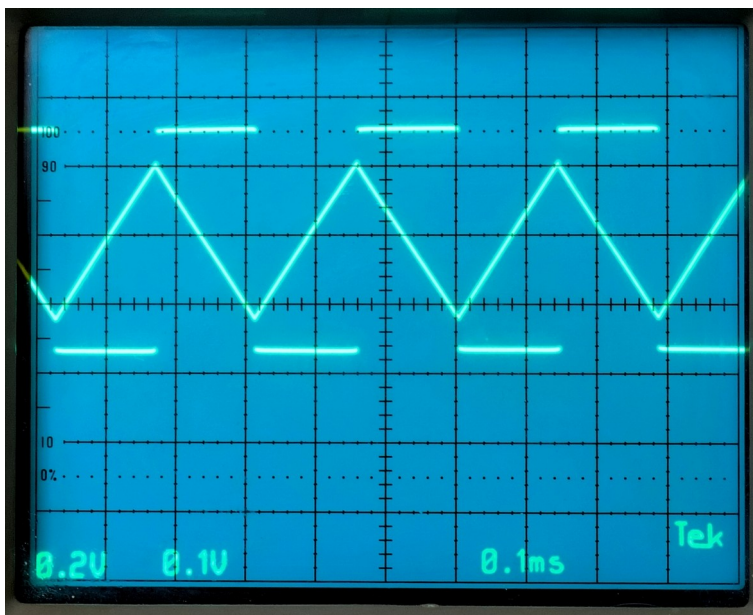
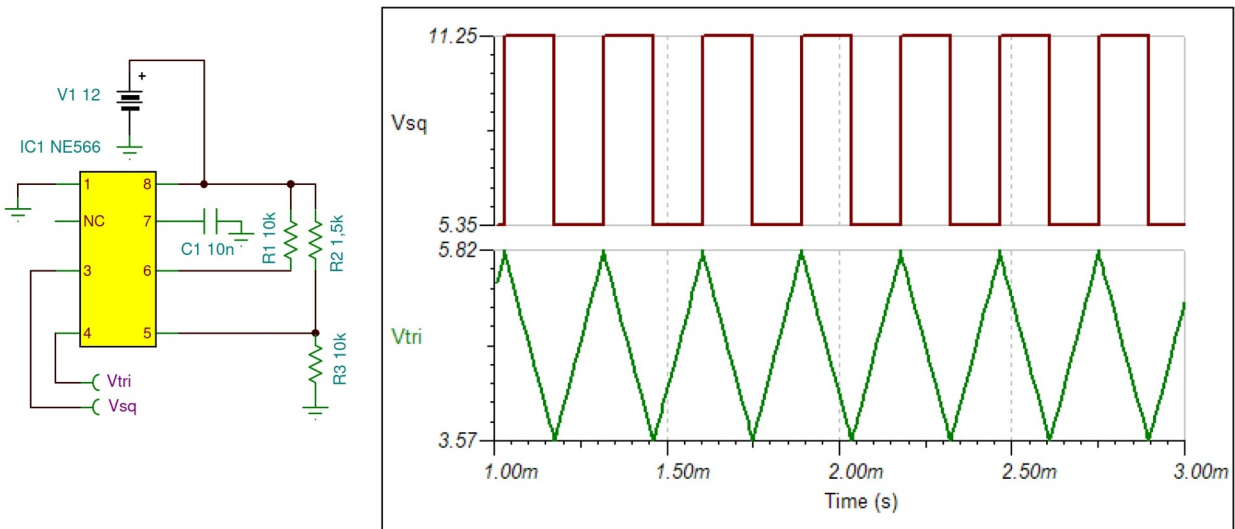


# NE566 Voltage Controlled Oscillator Macro Model

## Power Supply Current



## VCO Waveforms



The NE566 is a general purpose voltage controlled oscillator which may be used to generate square and triangular waves, the frequency of which is a very linear function of a control voltage.

The control voltage is set by the voltage divider formed with R2 and R3. The modulating signal is then AC coupled with one capacitor.

The modulating signal can be direct coupled as well, if

the appropriate DC bias voltage is applied to the control terminal. A small capacitor (typically 1 nF) should be connected between Pins 5 and 6 to eliminate possible oscillation in the control current source.