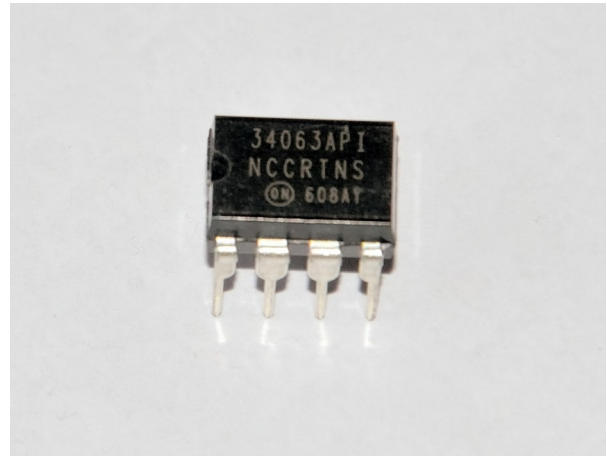
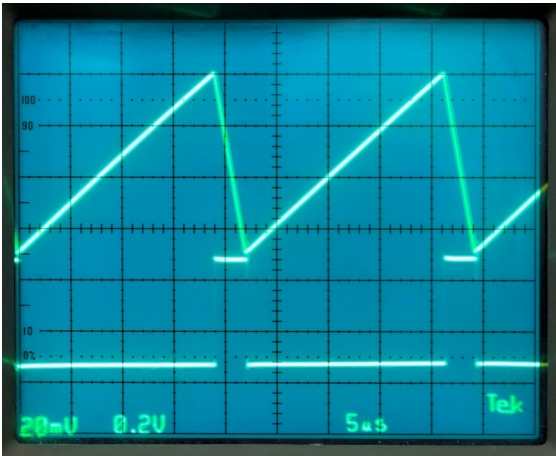
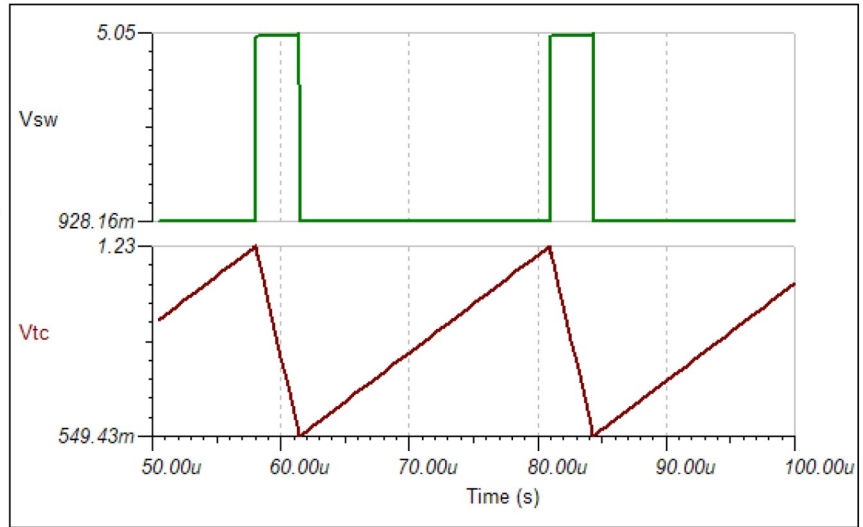
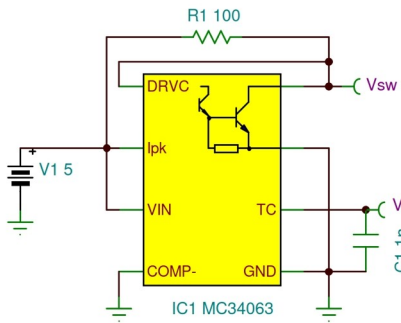
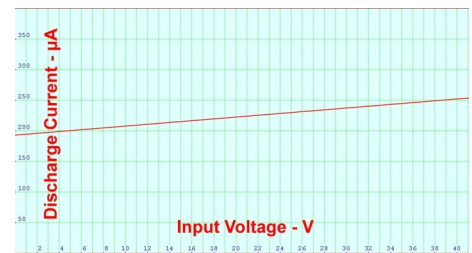
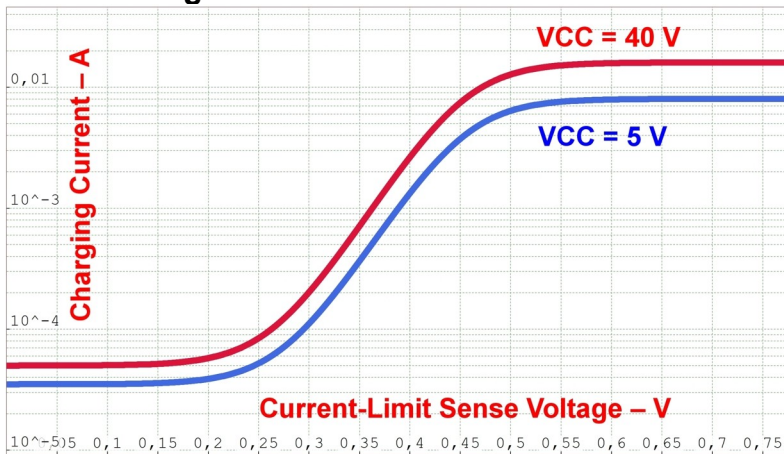


MC34063 Switching Regulator Macro Model

AC Test Circuit

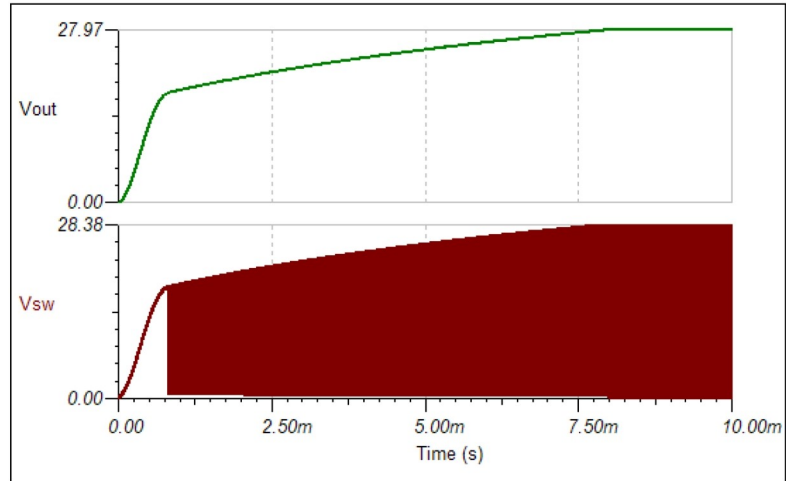
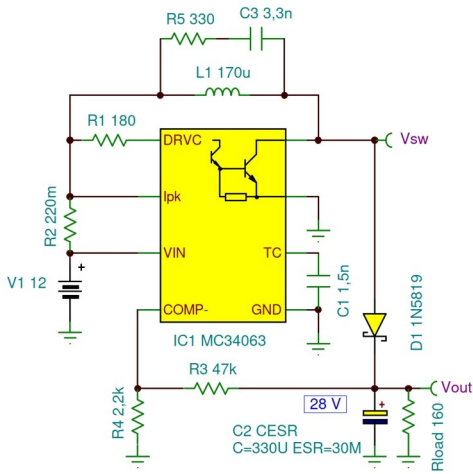


Timing Capacitor Charge Current vs Current-Limit Sense Voltage

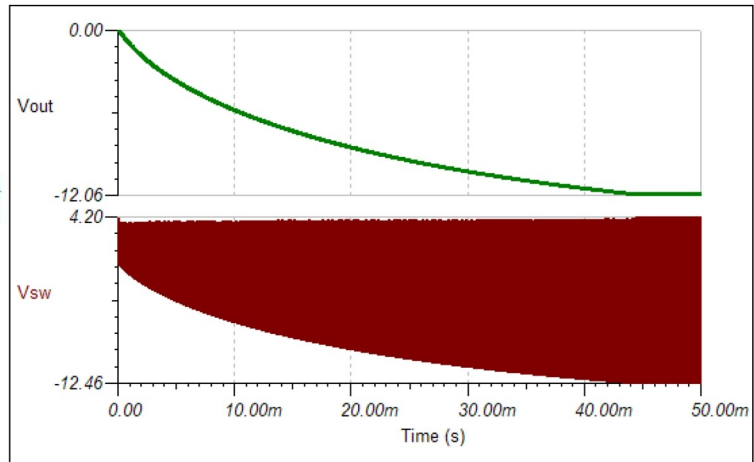
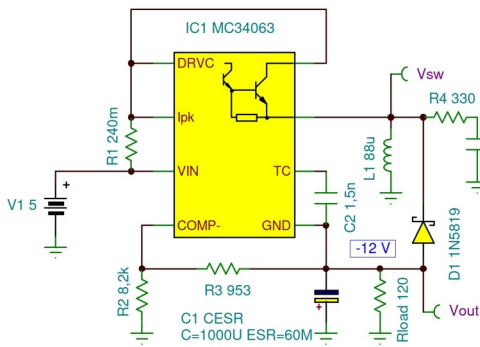


The typical charge current is 35 μA , and the typical discharge current is 200 μA . (VCC = 5 V)

1 Operation of MC34063 as Boost Converter



2 Inverting Switching Regulator



3 Buck Switching Regulator Waveforms

