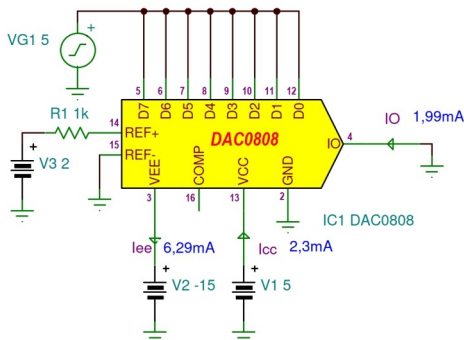
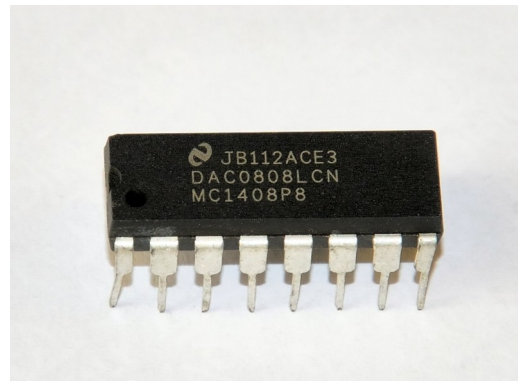
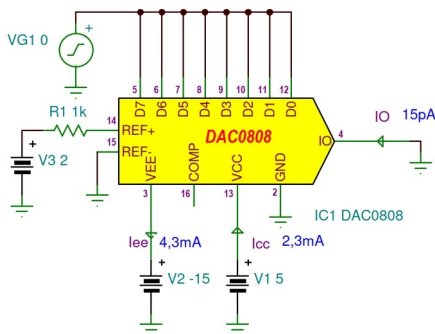


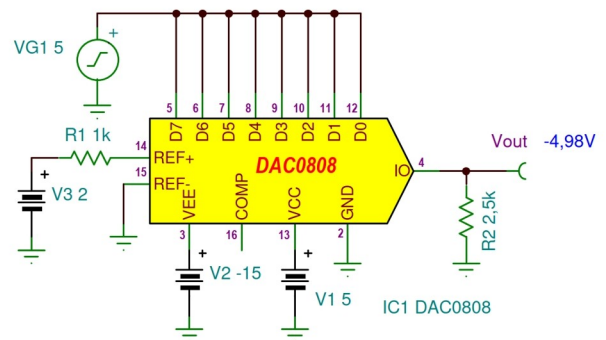
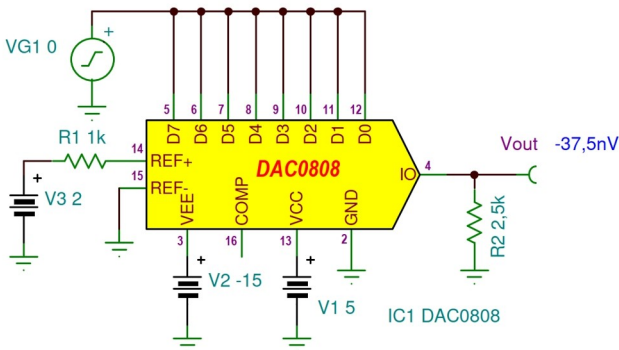
DAC0808, MC1408 8-bit Multiplying D/A Converter Macro Model

Power Supply Current

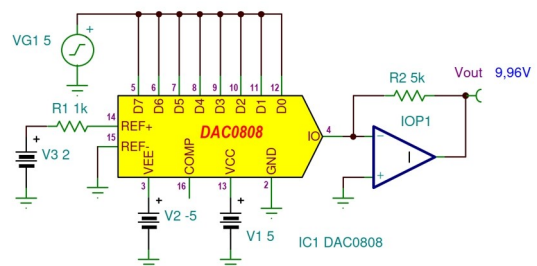
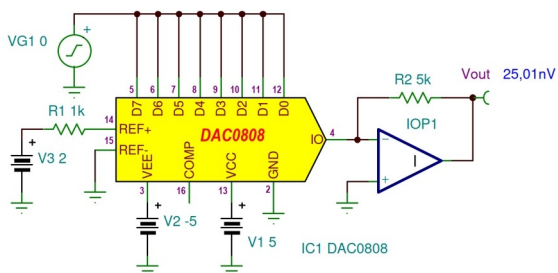


The voltage on pin 4 is restricted to a range of -0.55 to 0.4 V when $VEE = -5$ V due to the current switching methods employed in the DAC0808. The negative output voltage compliance of the DAC0808 is extended to -5 V where the negative supply voltage is more negative than -10 V.

Basic Unipolar Negative Operation



Positive Low Impedance Output Operation



Linear Ramp Generator

