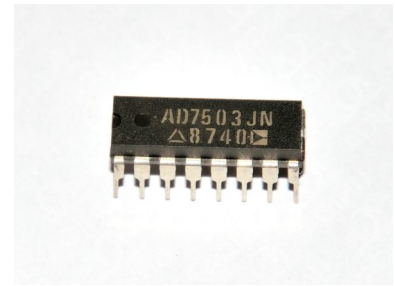
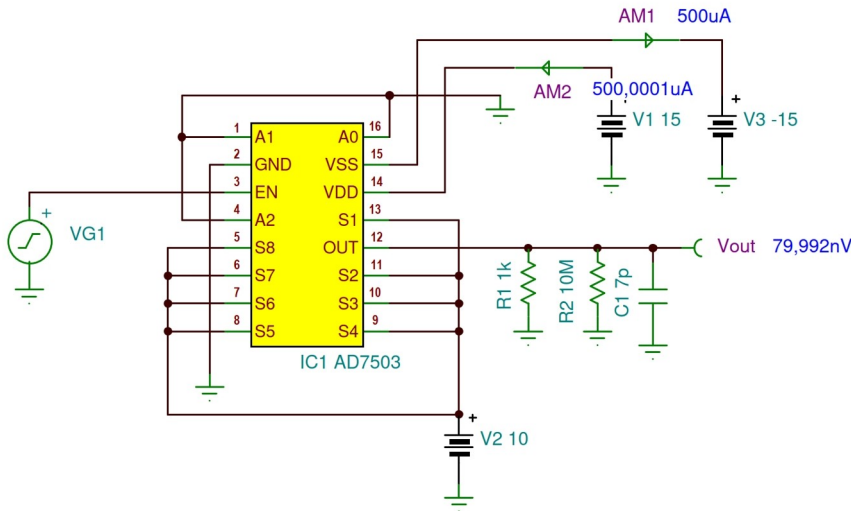


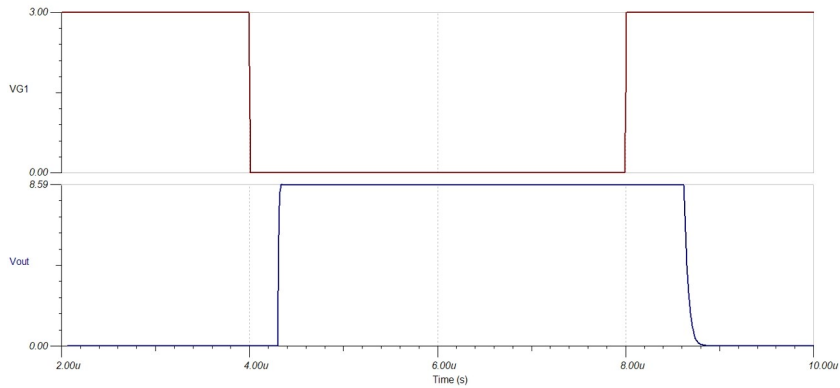
AD7503 Analog Multiplexer, AD7512 Analog Switch Macro Model

AD7503 Test Circuit

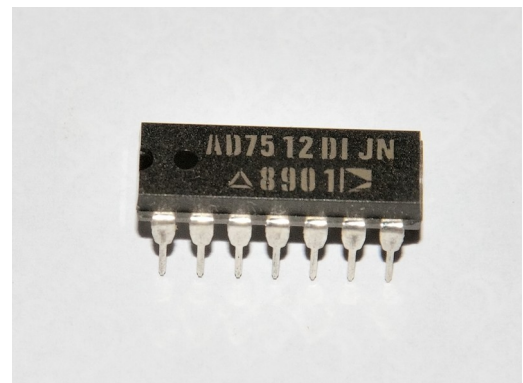
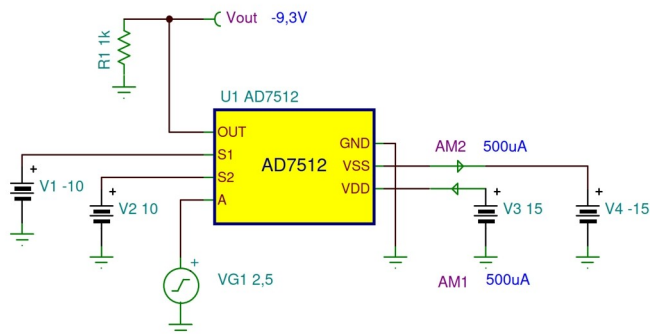


8-channel analog multiplexers which switch one of eight inputs to a common output

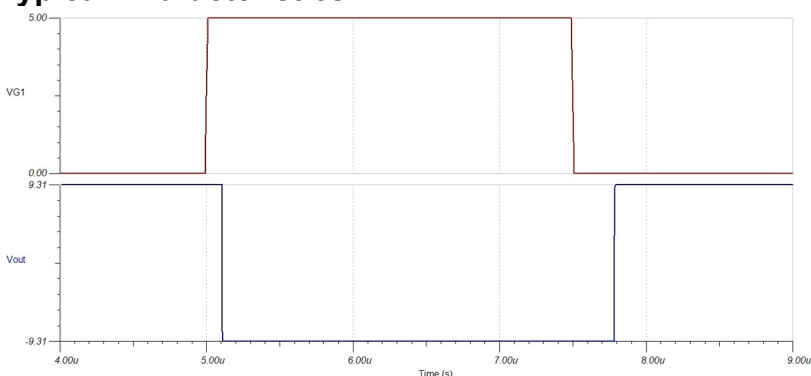
Typical Characteristics



AD7512 Test Circuit



Typical Characteristics



The AD7512 has two independent SPDT switches. Overvoltage Proof: ± 25 V