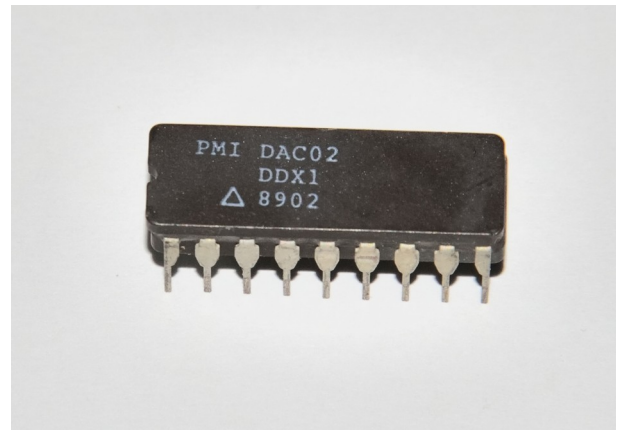
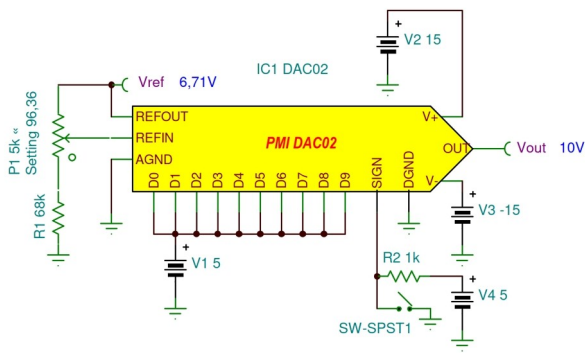
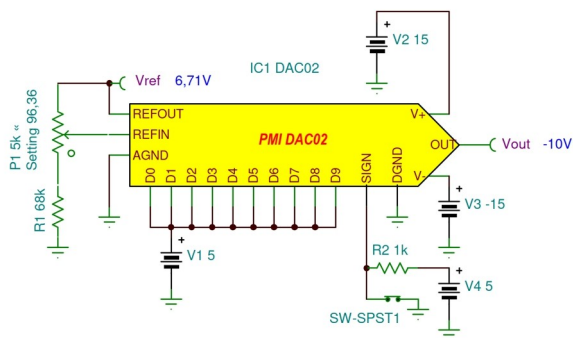


DAC02 10 Bit Plus Sign Voltage Output D/A Converter Macro Model



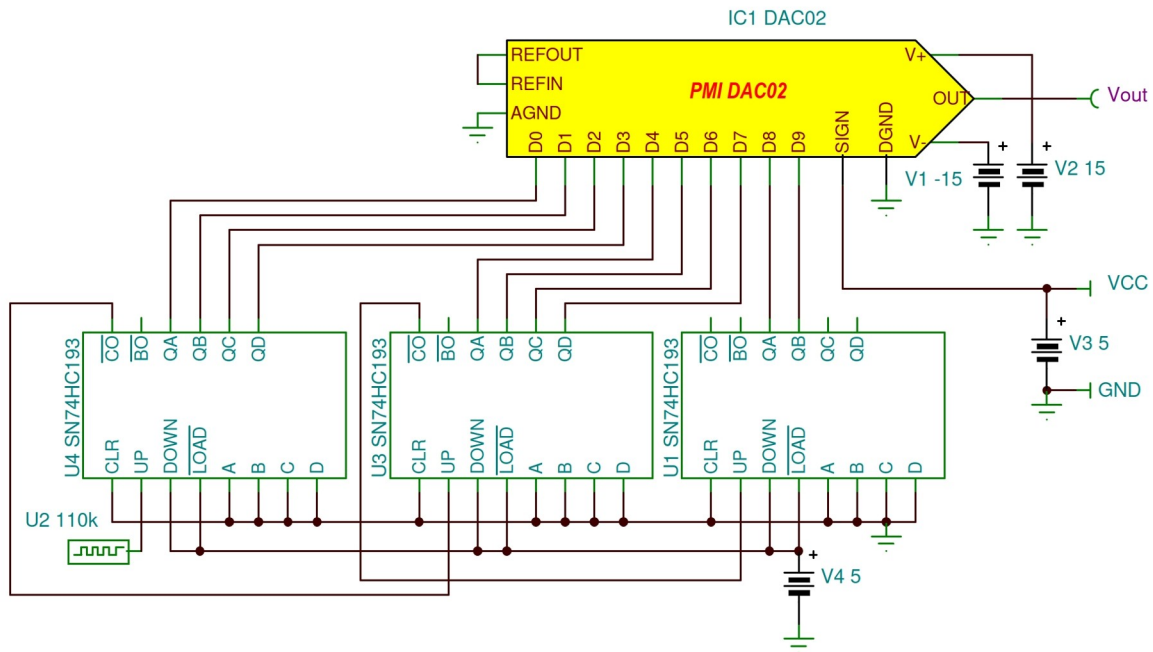
Full Scale Adjustment Circuit

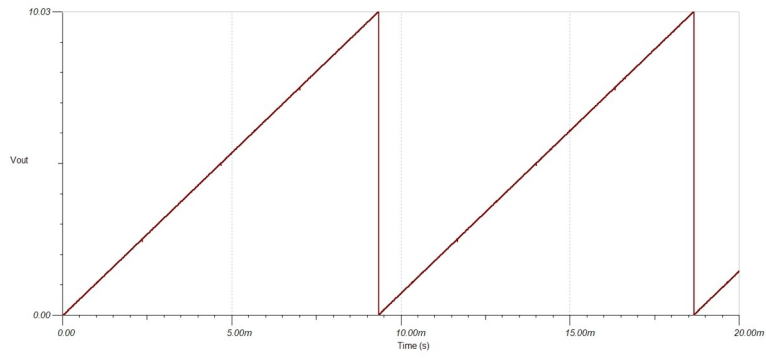


Operation as a 10 bit straight binary converter may be implemented by permanently tying the sign bit to +5 V (for positive full scale output) or to ground (for negative full scale output).

Positive polarity external reference voltages referred to analog ground may be applied to the reference input terminal. This reference voltage should be between +5 V to +7 V for optimum performance.

Linear Ramp Generator





In the case of an asynchronous counter, the signal will be noisier and requires subsequent filtering.

