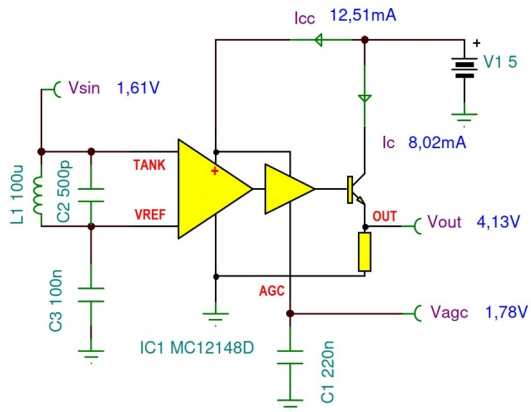
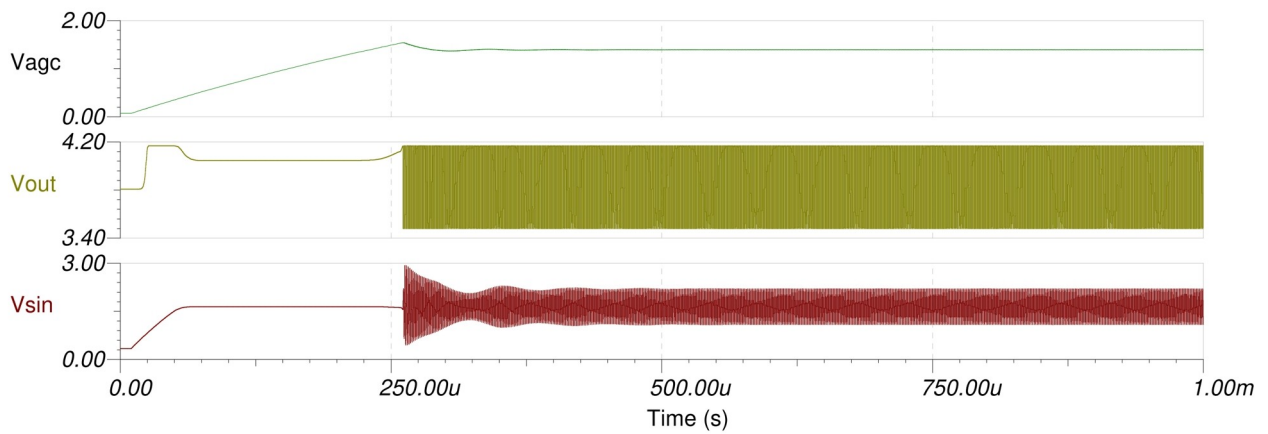


# MC12148D Voltage Controlled Oscillator Macro Model

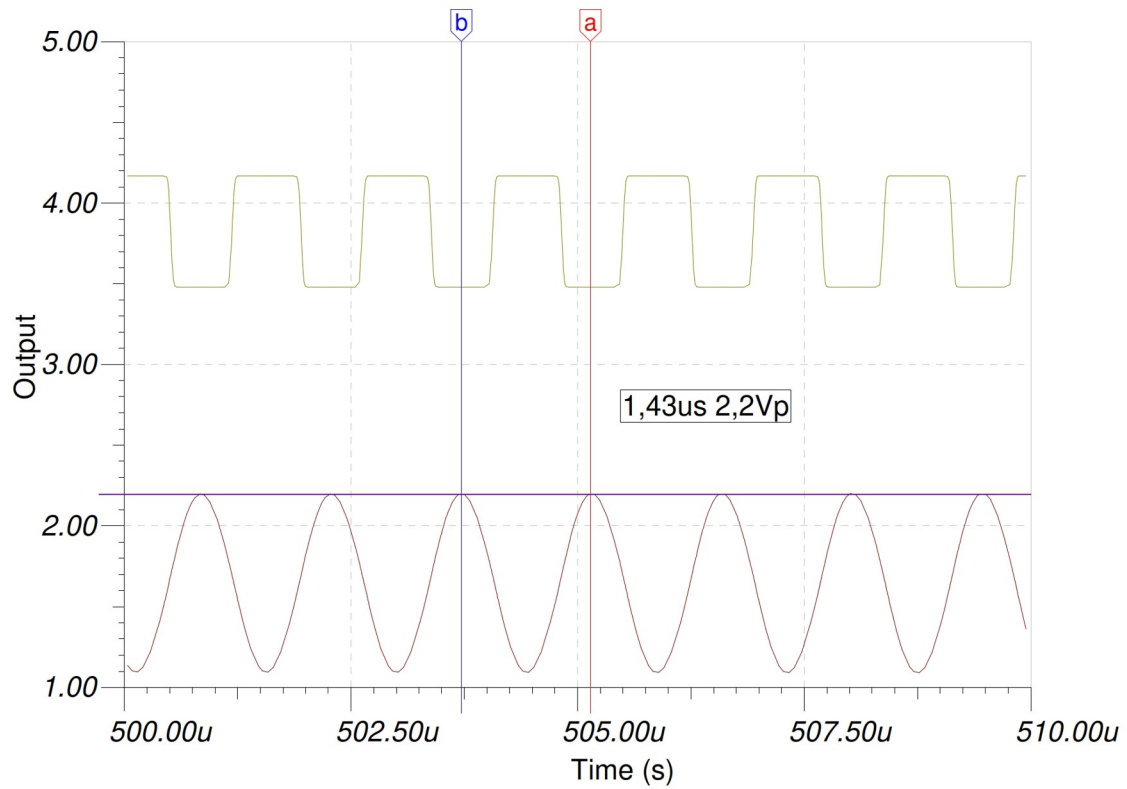
## DC Characteristics



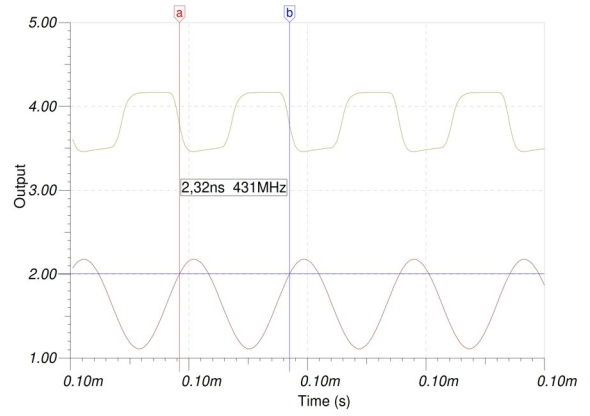
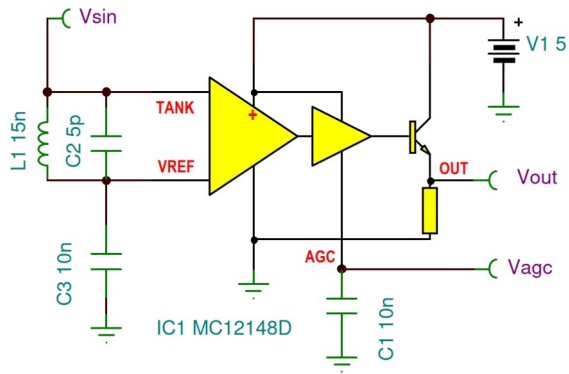
## Start-up Period



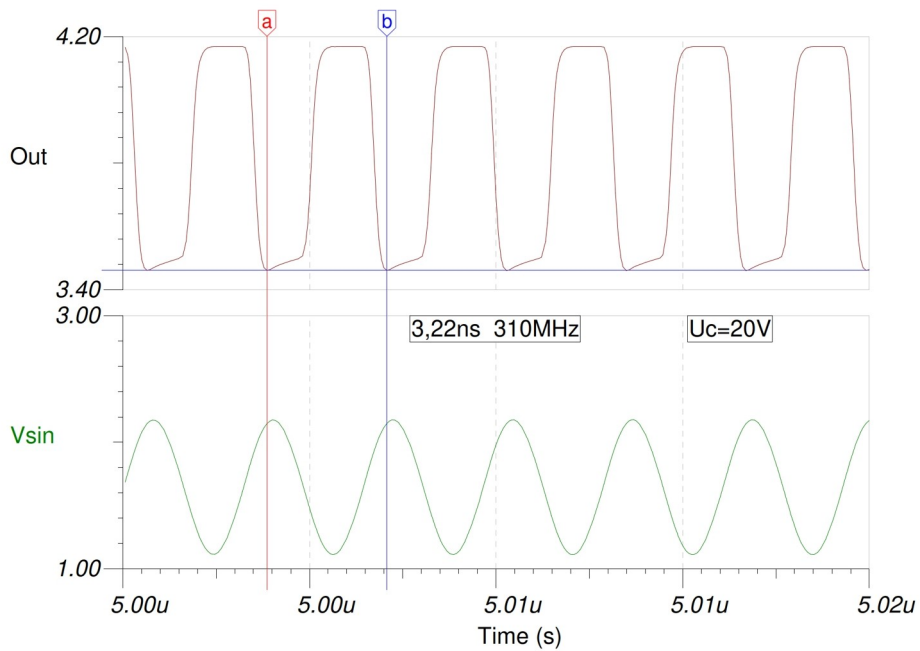
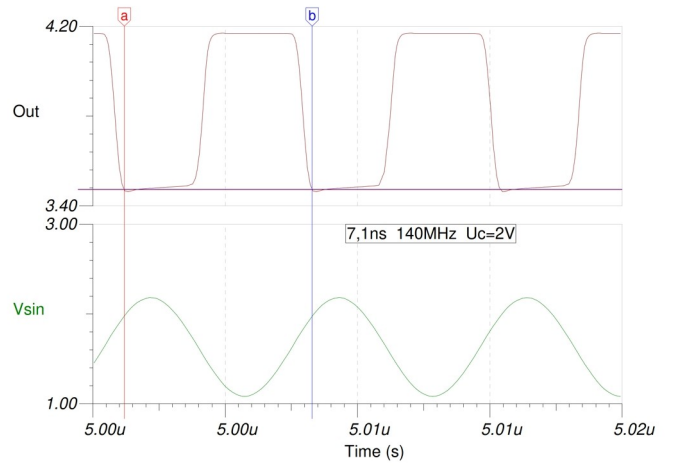
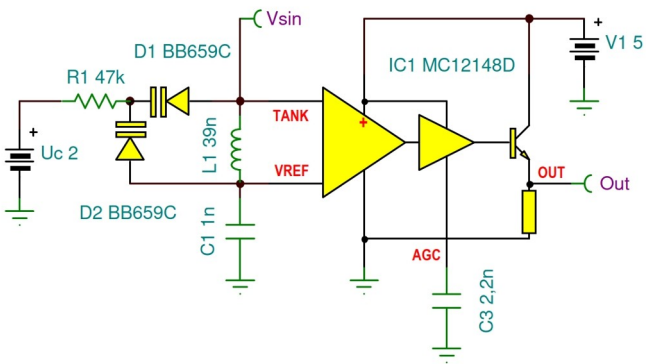
## LC Oscillator



## 430 MHz Oscillator



## 150...300MHz VCO



# Electronic Amplified Signal

