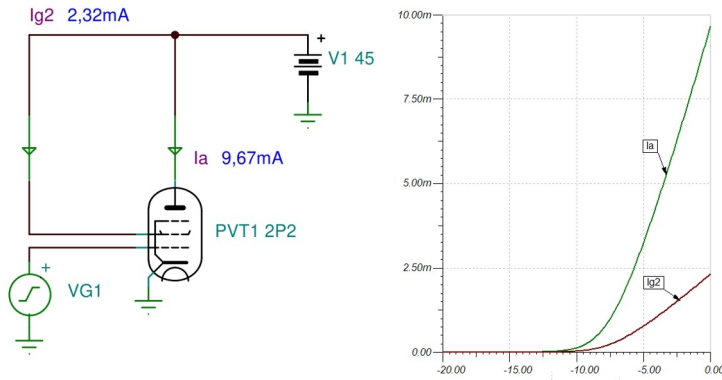
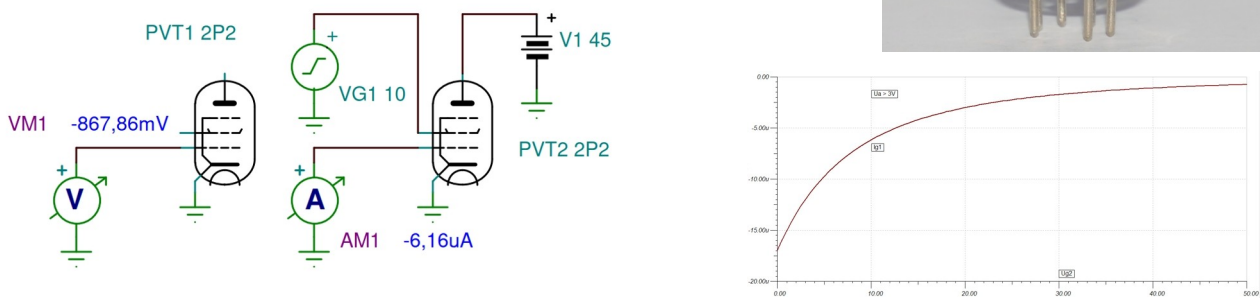


# 2P2 / DL92 Miniature Power Pentode Macro Model

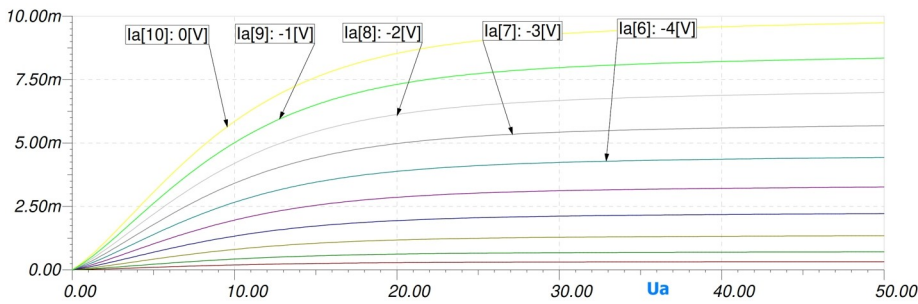
## DC Characteristics



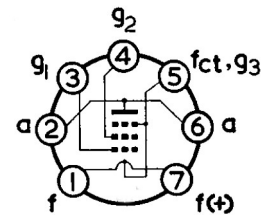
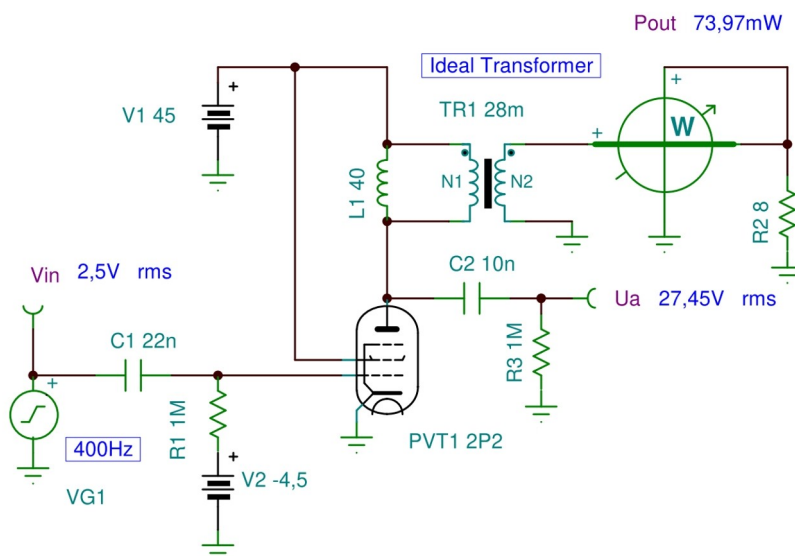
## $I_{g1} = f(U_{g2})$



## Output Characteristics



## Operating Characteristics Class A



This model is valid for the following tubes (within max. ratings):  
 DL92, 3S4, 3S4T, CV484, VT-174