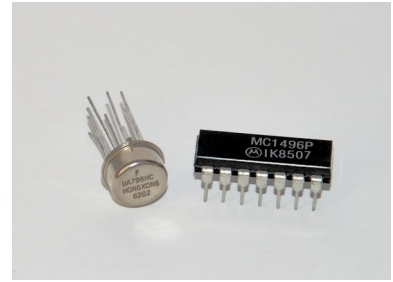
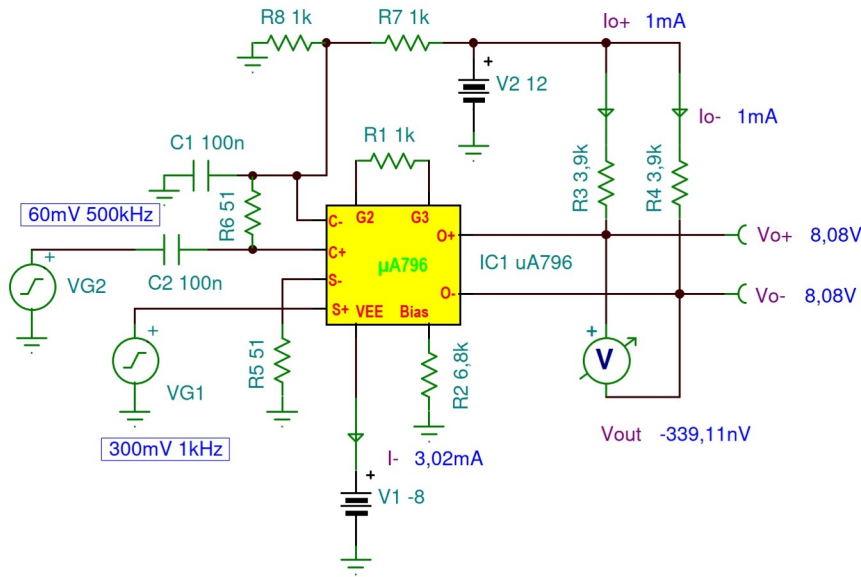
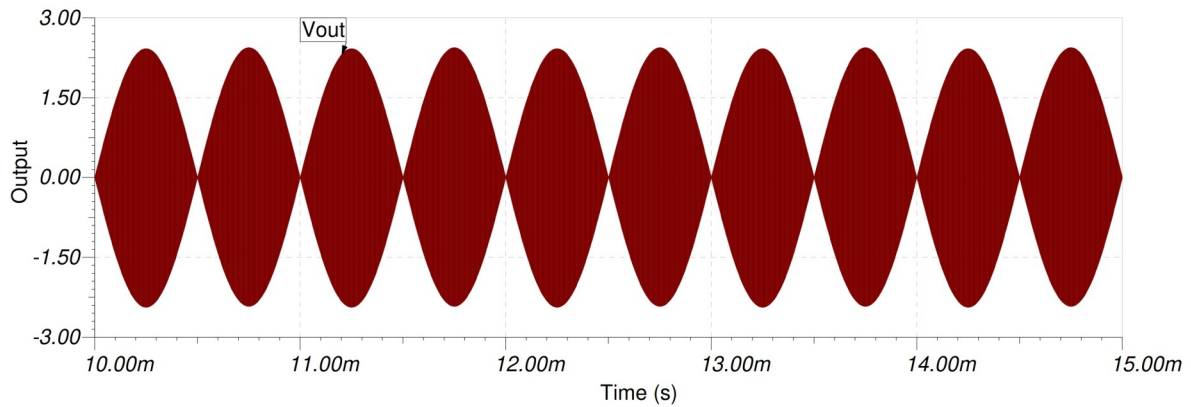


uA796 MC1496 Balanced Modulator/Demodulator Macro Model

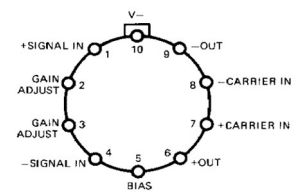
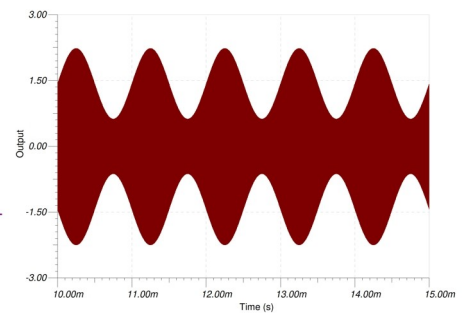
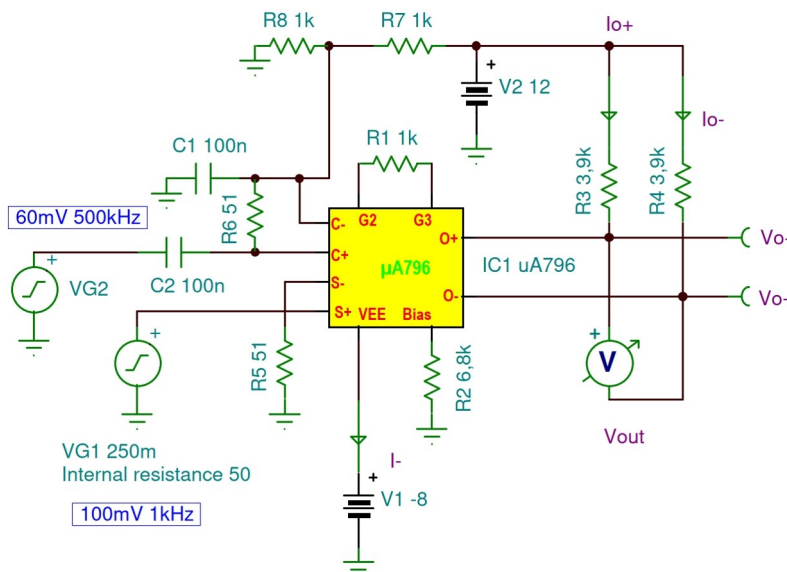
DC Characteristics



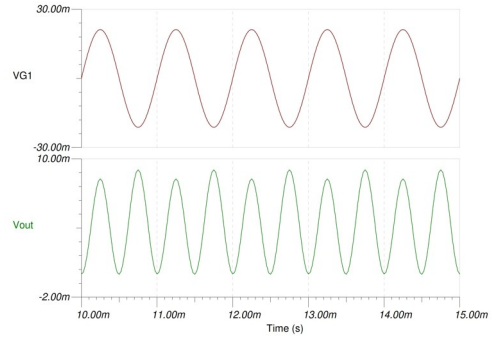
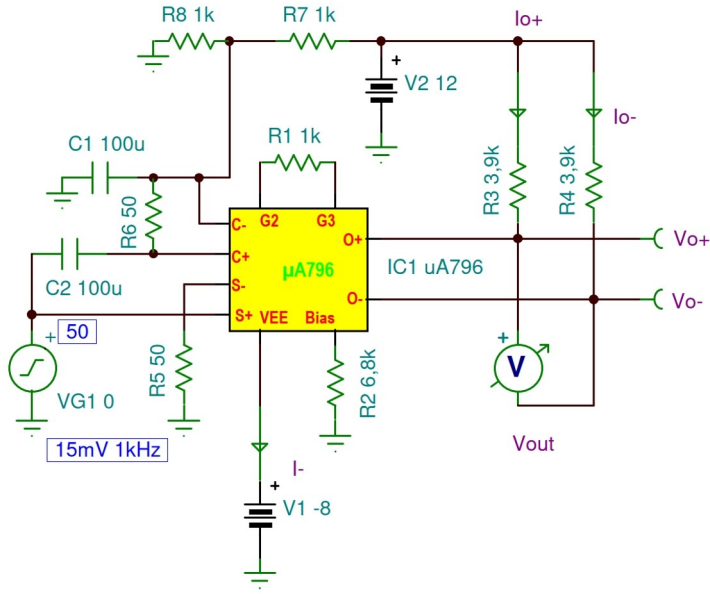
Carrier Suppression



AM Modulator Circuit



Low-Frequency Doubler



Signal Input	1	14	V _{EE}
Gain Adjust	2	13	N/C
Gain Adjust	3	12	Output
Signal Input	4	11	N/C
Bias	5	10	Carrier Input
Output	6	9	N/C
N/C	7	8	Input Carrier