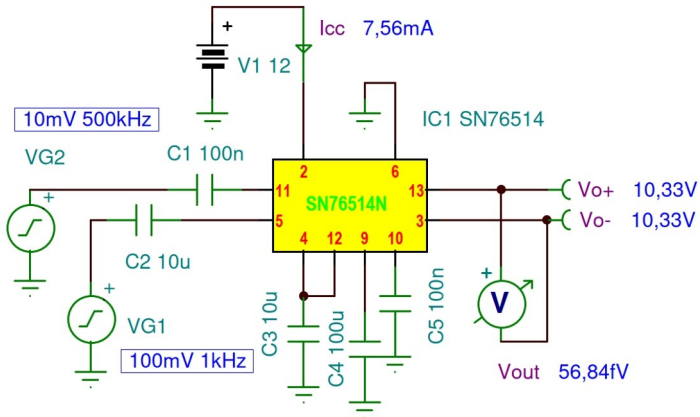
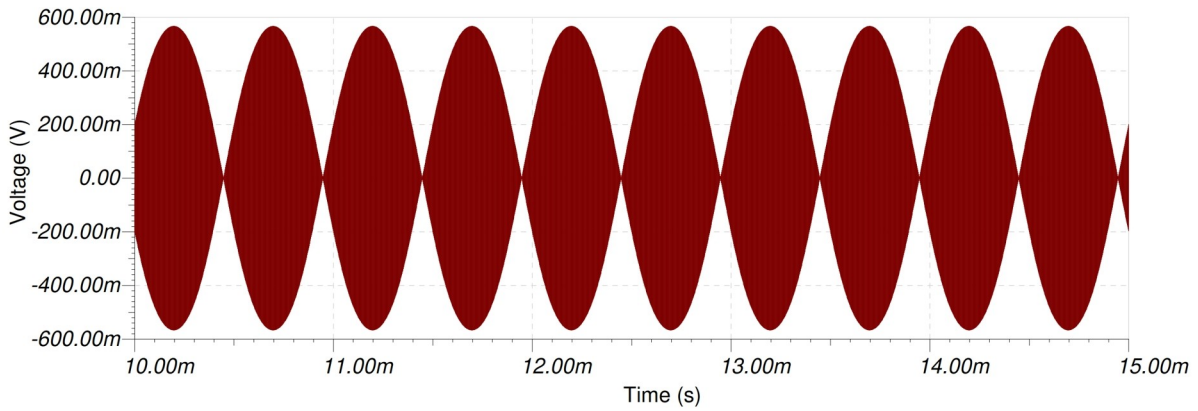


SN76514 Balanced Modulator/Demodulator Macro Model

DC Characteristics



Carrier Suppression



AM Modulator Circuit

