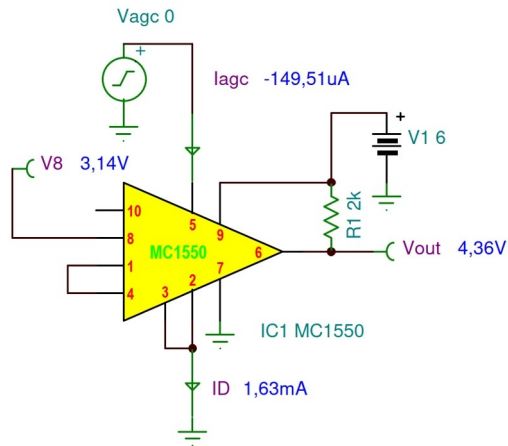


MC1550 RF-IF Amplifier Macro Model

DC Characteristics



AC Characteristics

