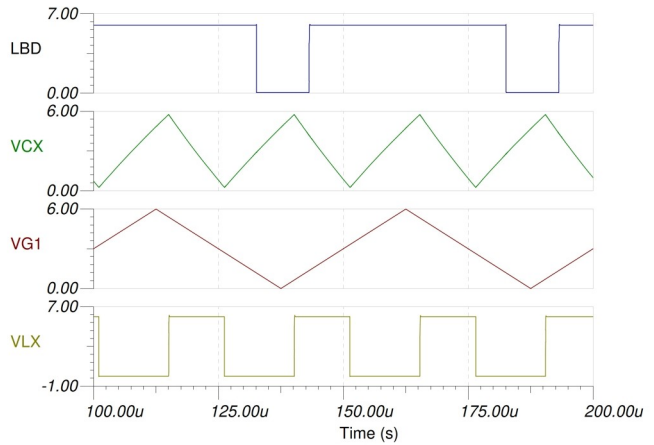
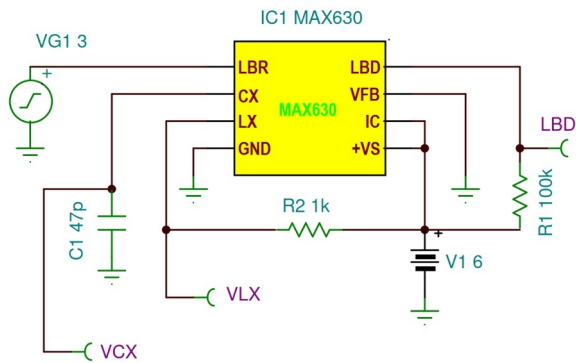
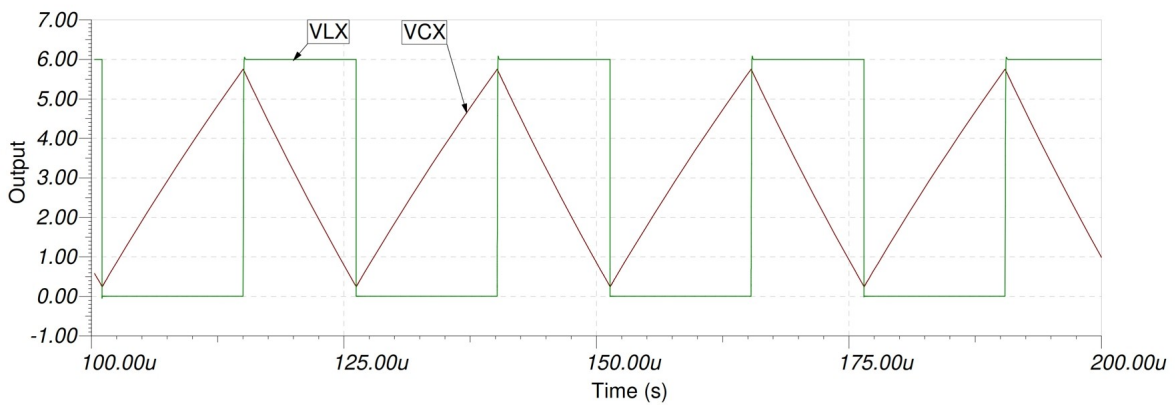
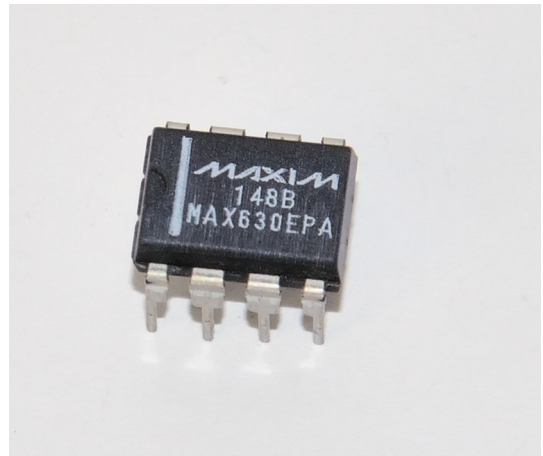
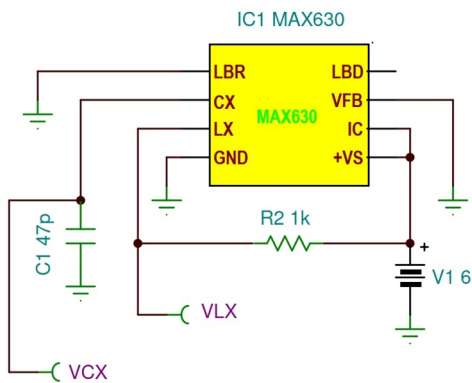


MAX630 CMOS Micropower Step-Up Switching Regulator Macro Model

Typical Operating Characteristics



Oscillator

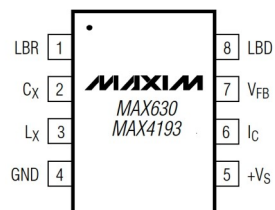


+VS

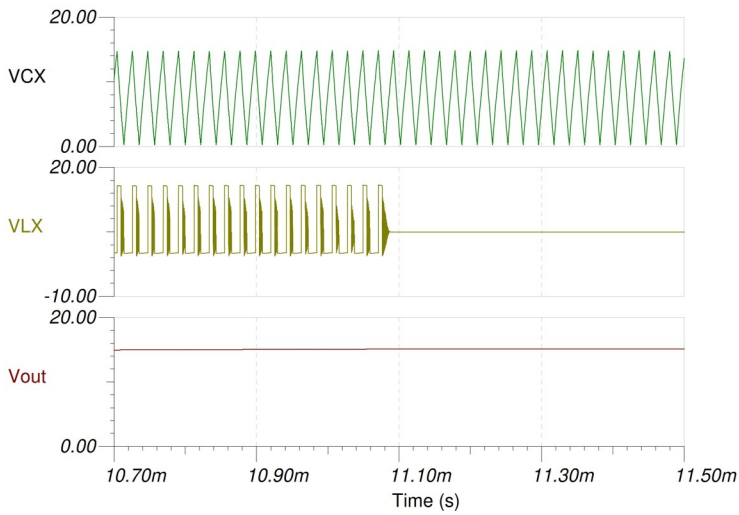
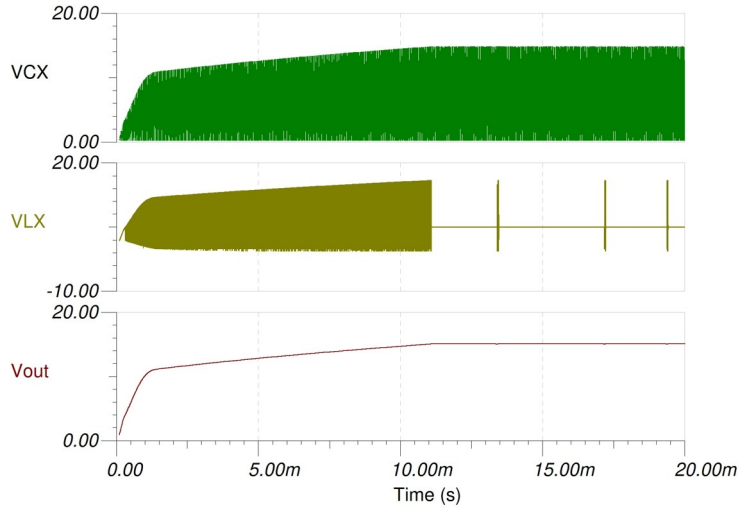
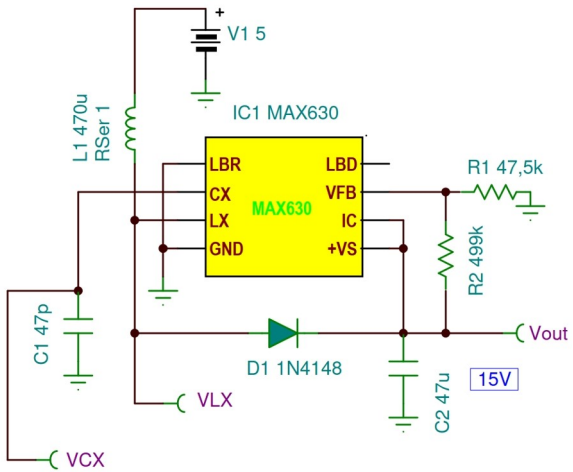
Frequency

3	31.3kHz
5	38.3kHz
6	40kHz
9	44.5kHz
12	47.3kHz

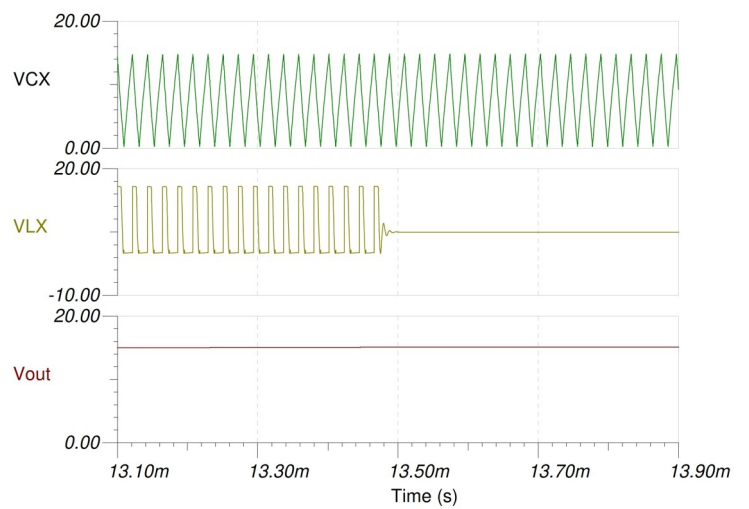
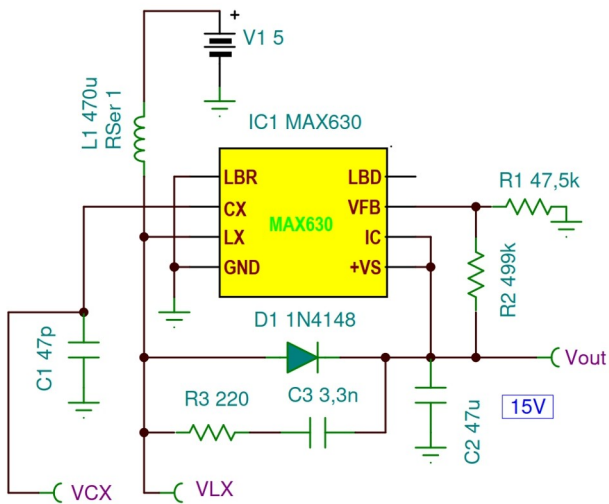
The devices are pin compatible with the Raytheon bipolar circuits, RC4191/2/3.



Bootstrapped Operation



RC Snubber Circuit



Zabb Csaba