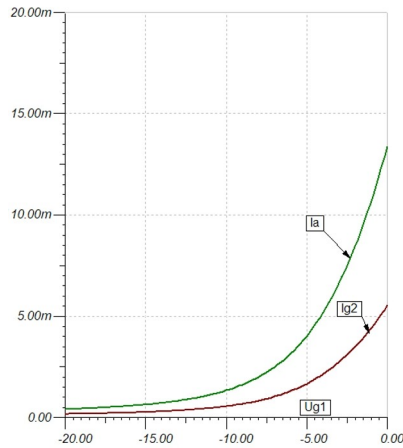
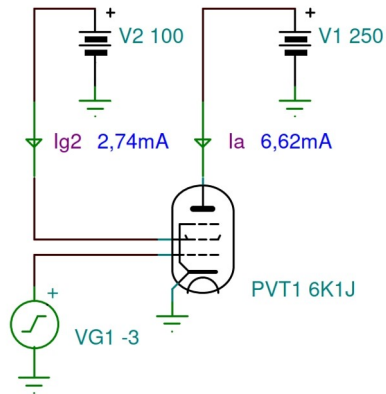
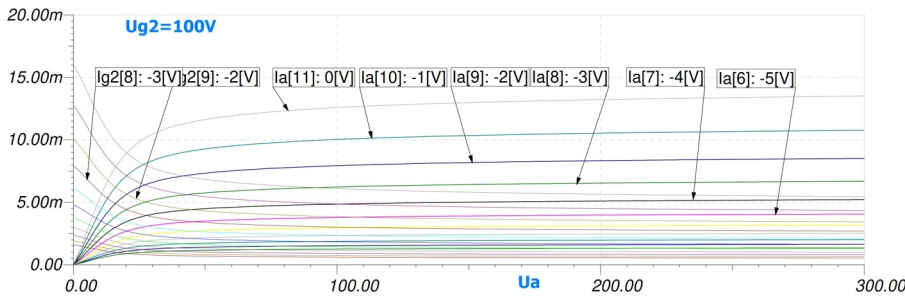


# 6K1J Variable-mu VHF Pentode Macro Model

## DC Characteristics



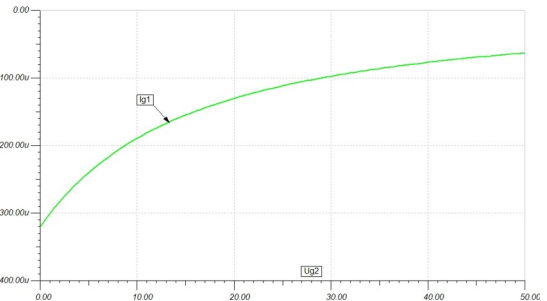
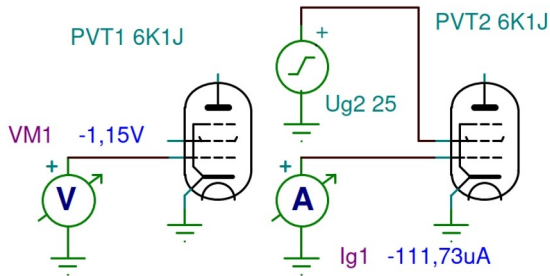
## Output Characteristics



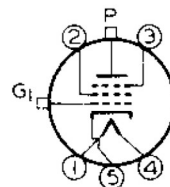
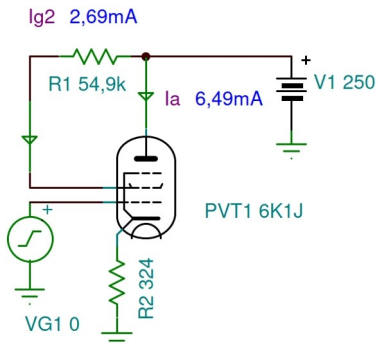
This model is valid for the following tubes (within max. ratings):  
RCA 956, VT-238, E2F

[Acorn Tube](#)

## $I_{g1} = f(U_{g2})$



## Operating Characteristics



P is on Long Part of Bulb; Top  
G<sub>1</sub> is on Short Part of Bulb; Bottom  
BOTTOM VIEW (5BB)